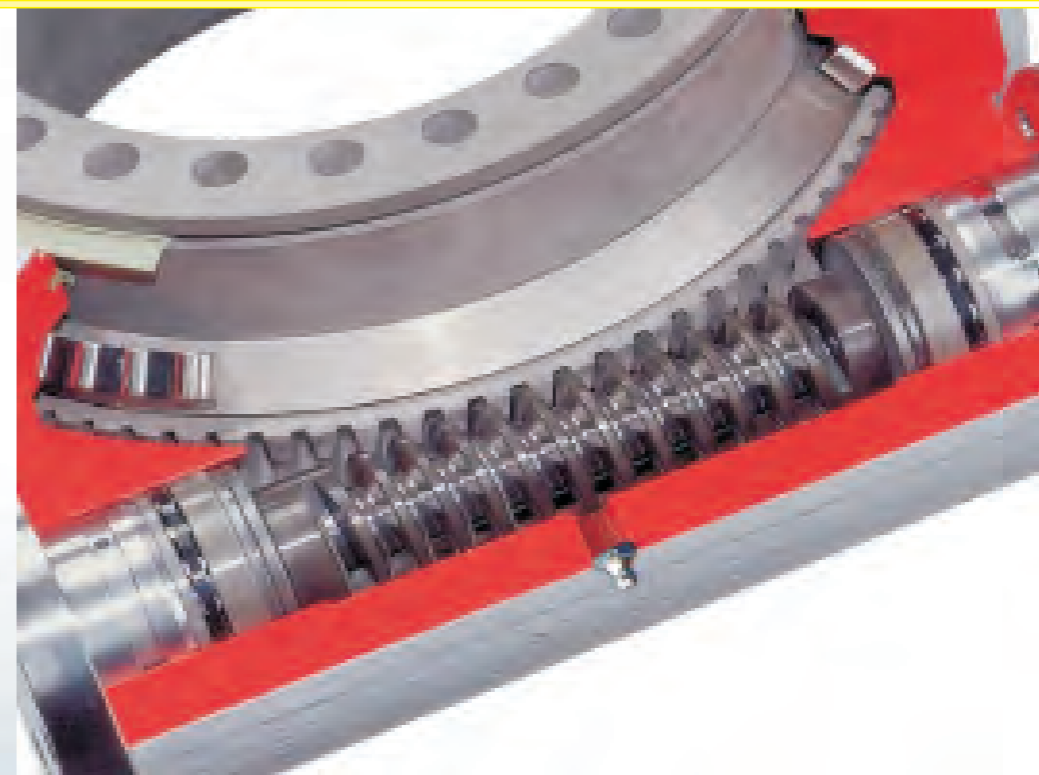


SOCARE® SLEW DRIVES



SOCARE®

Slew Drives



**SOCARE® INTERNATIONAL USA**

11435 Century Circle W.  
Cincinnati, OH 45246  
1-888-734-5690  
[WWW.SOCAREUSA.NET](http://WWW.SOCAREUSA.NET)



About SOCARE®:

The SOCARE® brand is synonymous with quality. Now, we have become an even greater resource for our business partners. Due to embracing technical advances, product support, and service, we have become a truly solutions-oriented supplier. SOCARE® is creating greater value for our partners.

These advances all work together to bring our customers the added benefit of higher productivity. In addition, we provide application specific products, leading edge design simulation tools, on sight engineering support, plant asset efficiency programs, and advanced supply chain management.

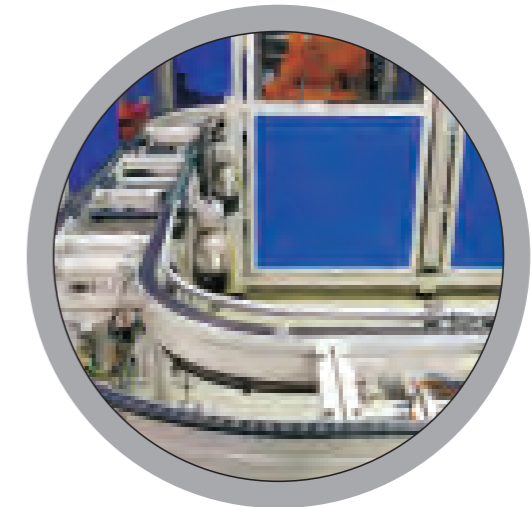
With SOCARE® you can expect more!



Solar Power System



Heavy Load Transporters



Automatic Assembly Line



Satellite Receiver



Rock Drilling Machine



Hydraulic Aerial Platform



Straddle Carrier



Yacht Crane



## General

### Function of Slew Drive

Slew drives comprise a highly robust Slewing Ring provided with gear teeth, one or several toothed drive elements (Worm Shaft), a worm gear in this case, seal, housing and a hydraulic or an electric drive (Motor). Slew Drives are designed for grease lubrication.

In a Slew Drive the rolling elements (Steel Balls) carry the load between the inner ring and outer ring of Slewing Ring. The raceway system's capacity is determined predominantly by Slewing Ring design, the depth of hardening and the number and size of the rolling elements. Spacers of Slewing Ring separate the rolling elements and minimise friction and wear.



### Load distribution

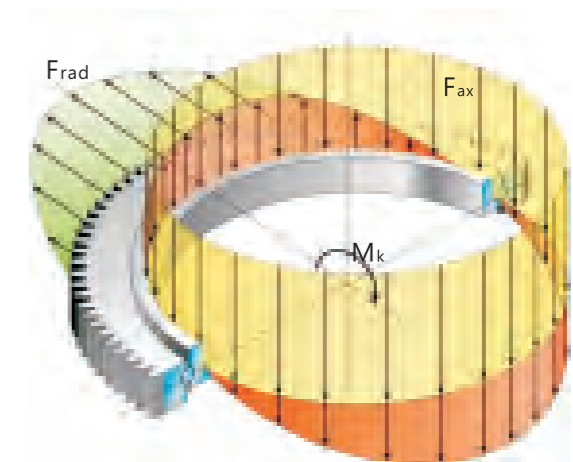
Depending on external load, the load distribution contact and the angle around the rolling elements will vary.\*

In the case of axial load, all rolling elements are loaded in the same direction.

\*In the case of radial load, a segment of the rolling elements carries the load.

\*In the case of tilting moment load, a segment on one side and a segment on the opposite side carry the load.

\*Mostly, a combination of axial, radial and tilting moment loads occur.



### Tilting Moment Torque- $M_k$

Torque is the load multiplied by the distance between the position of load and the center of slewing ring. If the torque generated by load and distance is greater than the rated tilting moment torque, slewing drive will be overturned.

### Axial load- $F_{ax}$

Load parallel to the axis of slewing ring.

### Radial load- $F_{rad}$

Load vertical to the axis of slewing ring.

### Holding torque

It is the reverse torque.

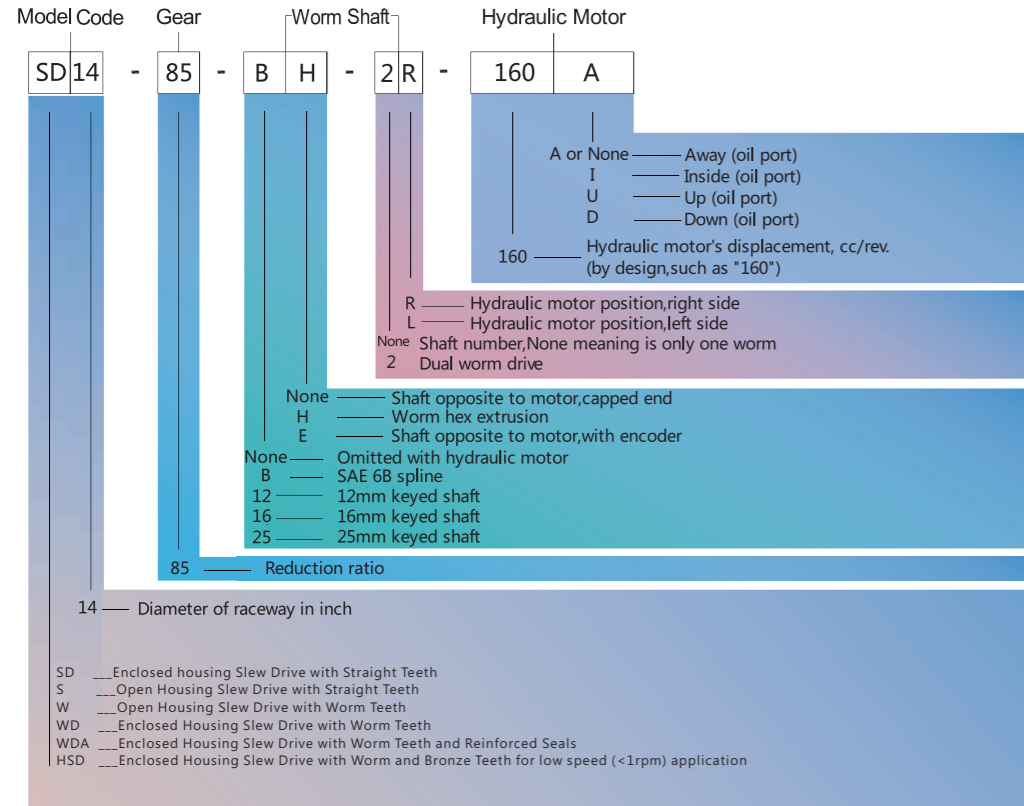
When the drive is rotating reversely, and parts are not damaged, the maximum torque achieved is called holding torque.

### Self-locking

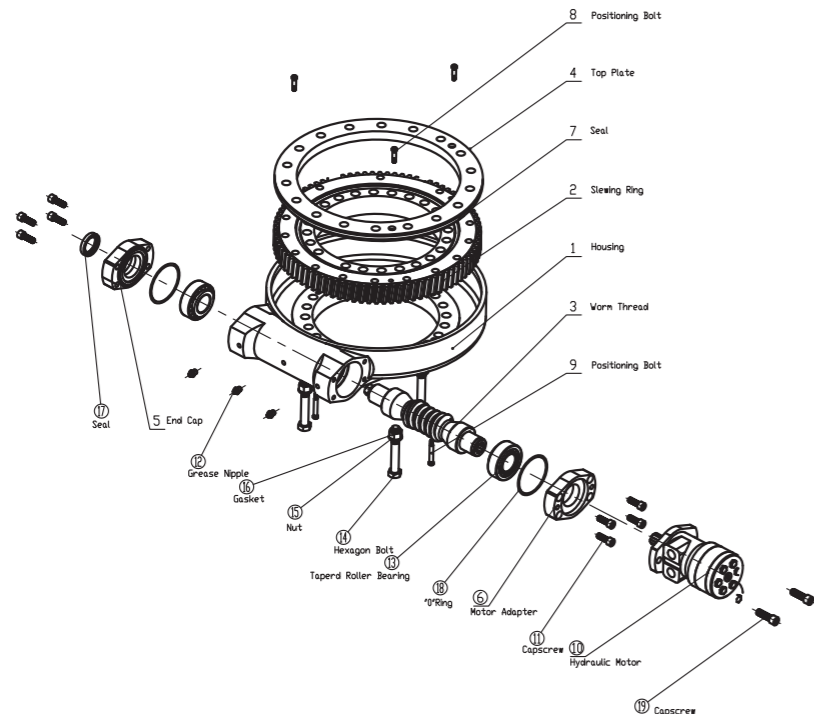
Only when loaded, the slewing drive is not able to reverse rotate and thus called self-locking.



## Code Description



Exploded Print for Assembly



## W/WD/WDA WORM DRIVE

Model	5"	7"	9"	12"	14"	17"	19"	21"	25"
Ratio	62	47	62	79	86	104	93	90	104

- .Worm gear with more contact and higher torque
- .Better ability of anti-waer and adhesion
- .Fit for heavy duty and medium speed applications

### Housing option:

- .Open Housing
- .Enclosed Housing
- .Enclosed Housing with Reinforced seals

Output Torque: 600N.m to 34.2kN.m (25,240 lbf.ft)

Holding Torque: 5500N.m to 158.3kN.m (117,000 lbf.ft)

Moment Torque: 3000N.m to 310nN.m (229,000 lbf.ft)



## S/SD/SDA WORM DRIVE

Model	3"	5"	7"	9"	12"	14"	17"	21"	25"
Ratio	62	62	73	61	78	85	102	125	150



- .Enveloping worm gearing structure with more contact and higher torque
- .Fit for light duty and low speed ,multiple precision options .

### Housing option:

- .Open Housing
- .Enclosed Housing
- .Dual Drive Housing
- .Enclosed Housing with Reinforced Seals

Output Torque: 400N.m to 28kN.m (20,652 lbf.ft)

Holding Torque: 2,000N.m to 269.1kN.m (198,900 lbf.ft)

Moment Torque: 1,100N.m to 271nN.m (200,000 lbf.ft)





**HSD Slew Drive**

Model	7"	9"	12"	14"	17"	21"	25"	
Ratio	47	62	79	86	104	90	94	

The Series HSD is a robust enclosed-gearing Slew Drive solution equipped for low-speed (<1 RPM) applications.

**Key Features**

- . Hour-glass worm and bronze gear for competitive gear contact and life and dynamic load capacity
- . 3 distinct sizes, up to 25 inch bearing diameter
- . Advanced sealing and grease fill
- . Ideal for wet, corrosive, heavy dust and debris-prone environments
- . Dual-worm option for additional dynamic and static torque capacity

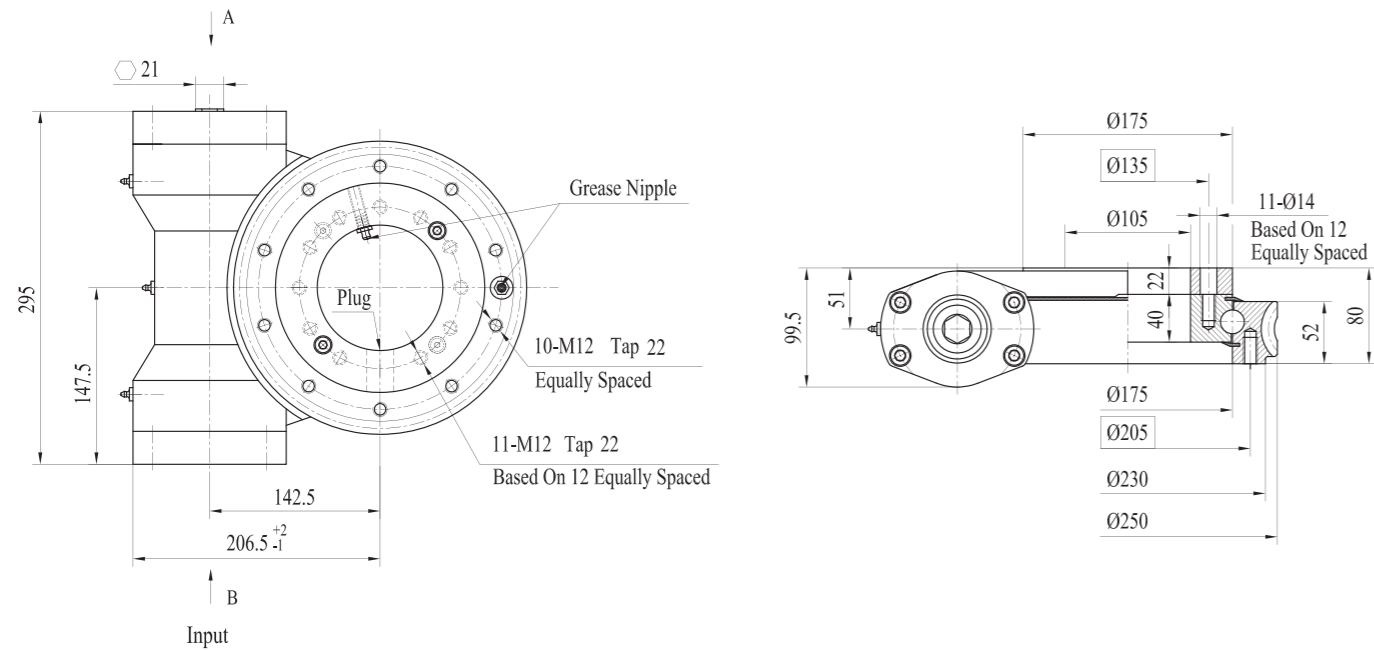


**SOCARE® Slew Drives**  
**Quality Creates Value!**



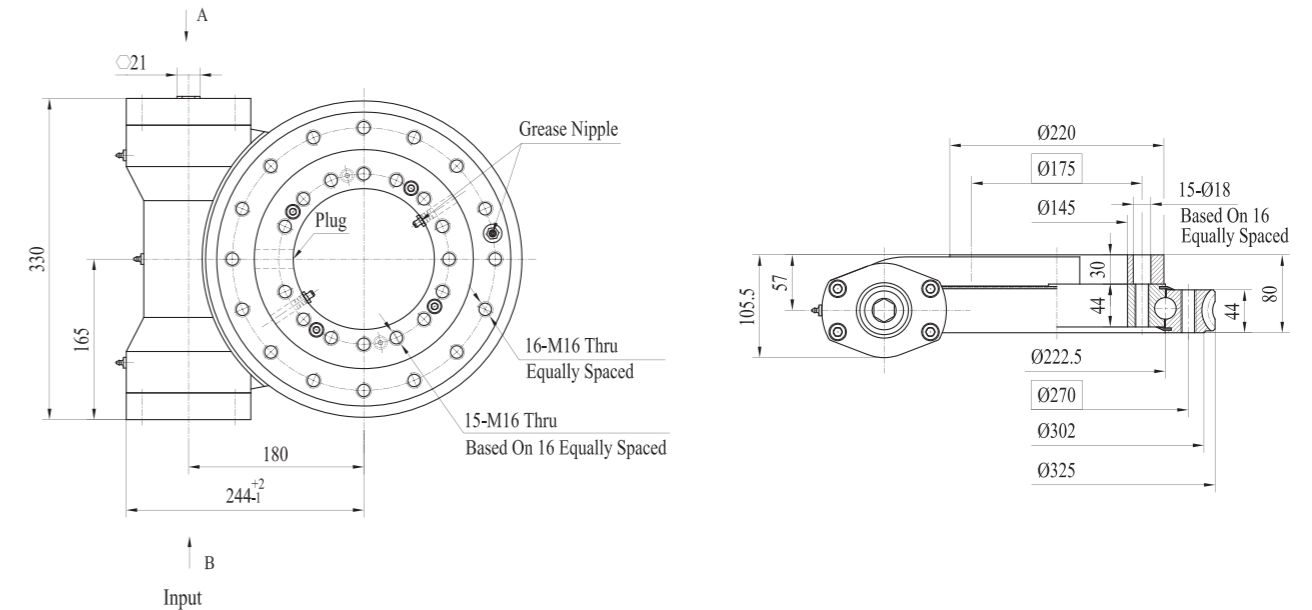


**W7 | WORM DRIVE**

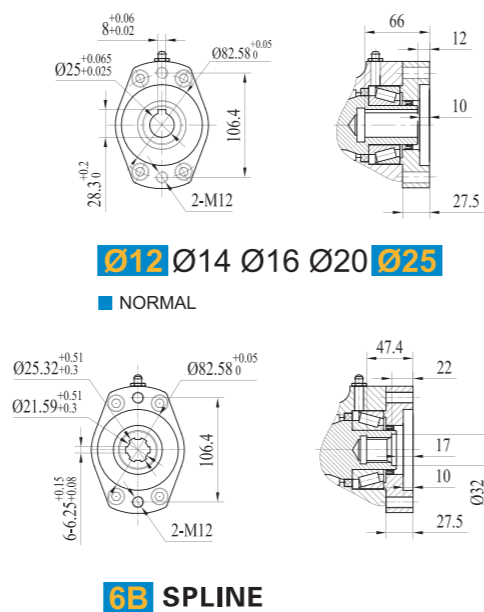
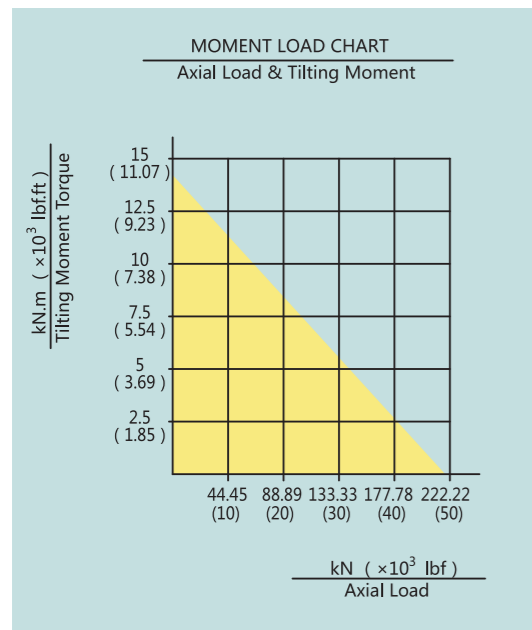


**VIEW B OPTION**

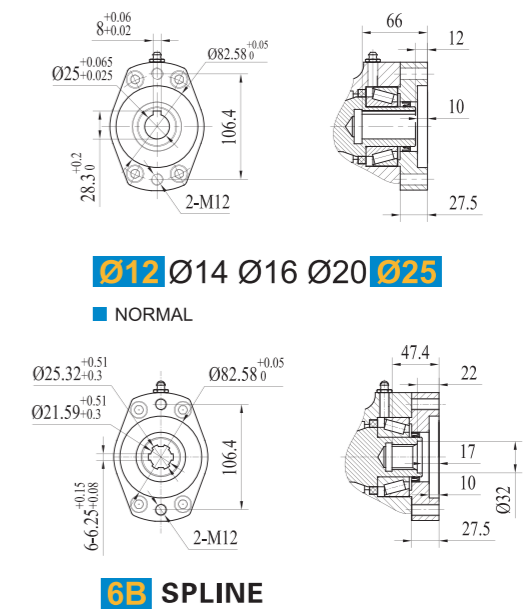
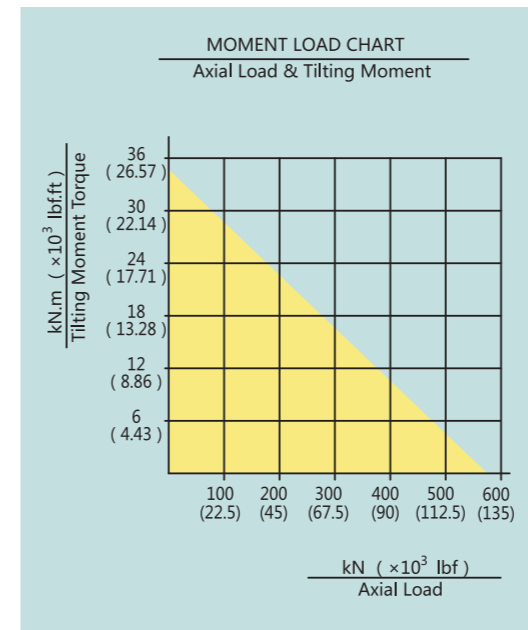
**W9 | WORM DRIVE**



**VIEW B OPTION**



**6B SPLINE**



**6B SPLINE**

W7 Slew Drive Performance Parameters

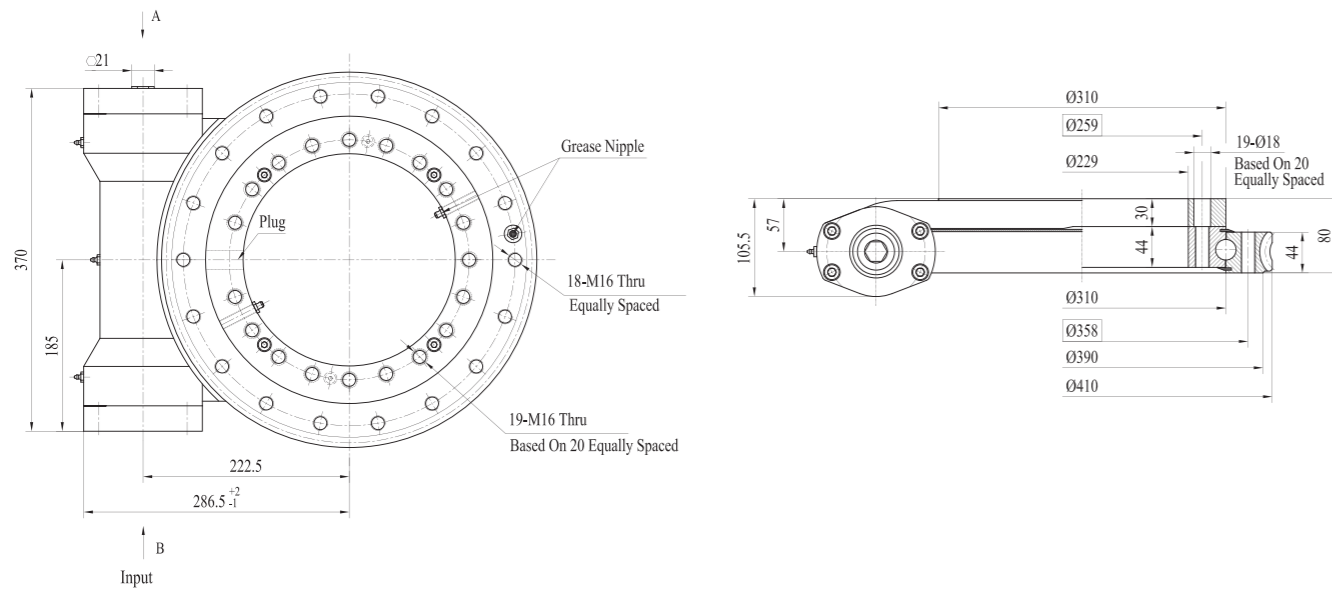
Data Model	Output Torque	Tilting Moment Torque	Holding Torque	Static Axial Rating	Static Radial Rating	Dynamic Axial Rating	Dynamic Radial Rating	Gear Ratio	Tracking Precision	Weight
W7	3.5 kN.m 2583 lbf.ft	14.2 kN.m 10.5 × 10 <sup>3</sup> lbf.ft	20 kN.m 14.8 × 10 <sup>3</sup> lbf.ft	220 kN 49.5 × 10 <sup>3</sup> lbf	90 kN 20.2 × 10 <sup>3</sup> lbf	63 kN 14.2 × 10 <sup>3</sup> lbf	48 kN 10.8 × 10 <sup>3</sup> lbf	47 : 1	≤ 0.15°	29kg

W9 Slew Drive Performance Parameters

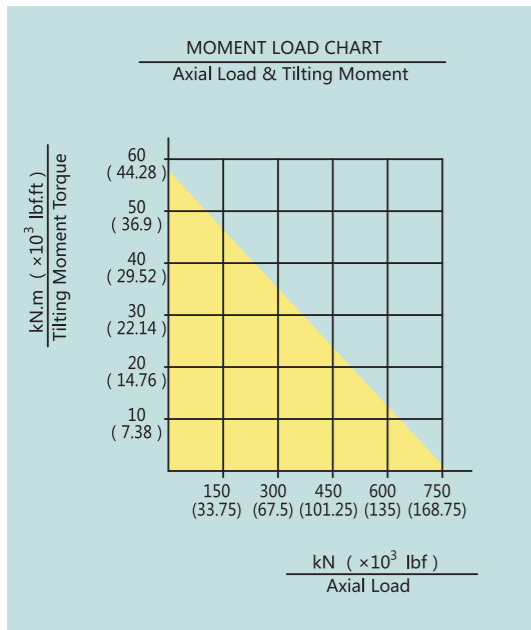
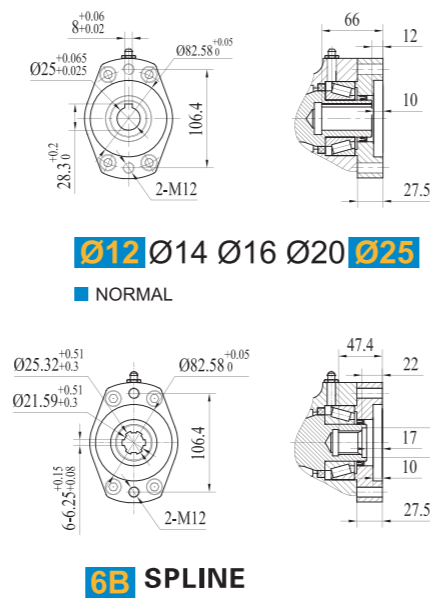
Data Model	Output Torque	Tilting Moment Torque	Holding Torque	Static Axial Rating	Static Radial Rating	Dynamic Axial Rating	Dynamic Radial Rating	Gear Ratio	Tracking Precision	Weight
W9	8 kN.m 5904 lbf.ft	35.6 kN.m 26.3 × 10 <sup>3</sup> lbf.ft	38.7 kN.m 29 × 10 <sup>3</sup> lbf.ft	578 kN 129.9 × 10 <sup>3</sup> lbf	215 kN 48.3 × 10 <sup>3</sup> lbf	136 kN 30.6 × 10 <sup>3</sup> lbf	115 kN 25.9 × 10 <sup>3</sup> lbf	62 : 1	≤ 0.15°	40kg



# W12 | WORM DRIVE



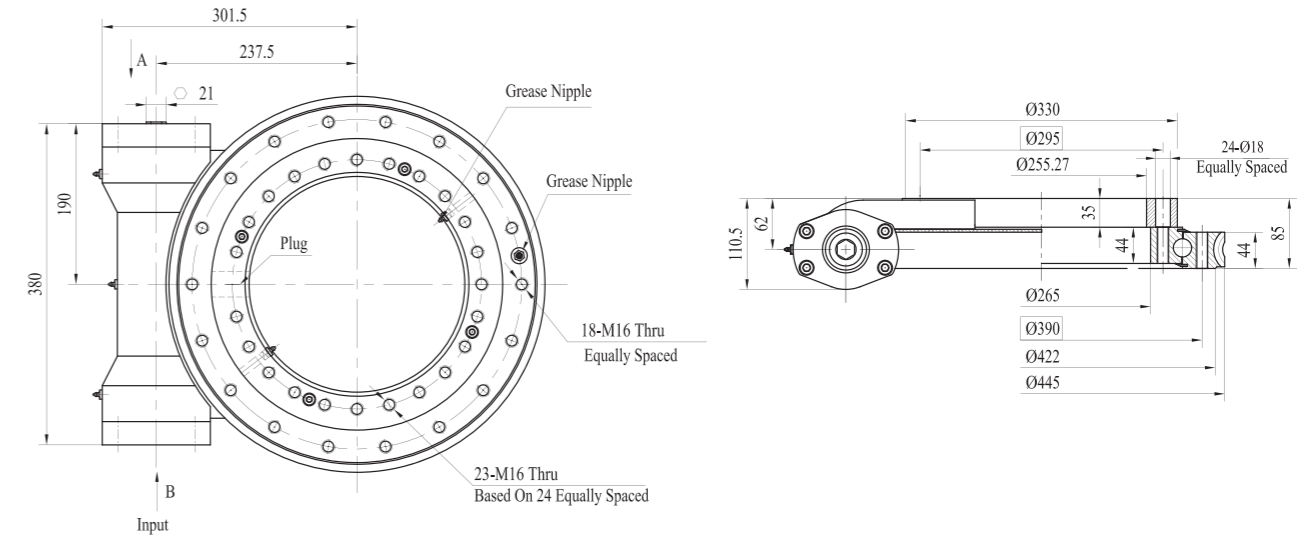
## VIEW B OPTION



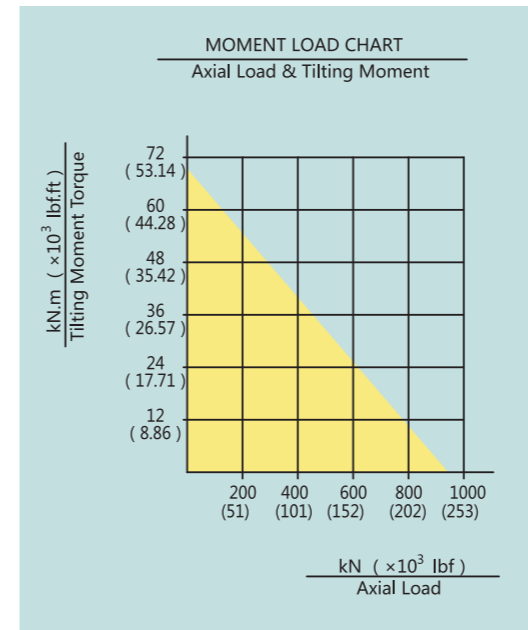
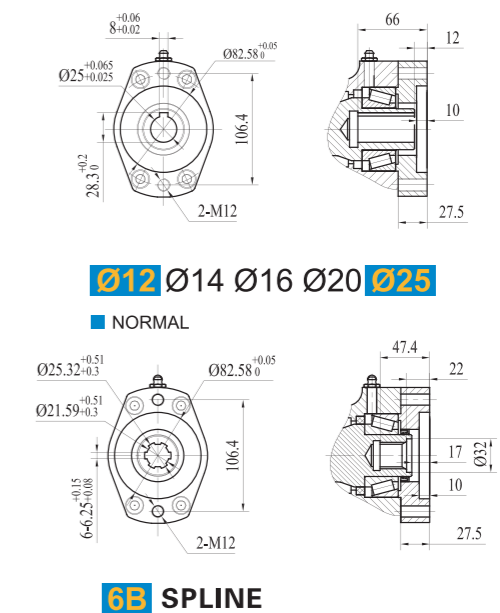
W12 Slew Drive Performance Parameters

Data Model	Output Torque	Tilting Moment Torque	Holding Torque	Static Axial Rating	Static Radial Rating	Dynamic Axial Rating	Dynamic Radial Rating	Gear Ratio	Tracking Precision	Weight
W12	9.5 kN.m 7011 lbf.ft	57 kN.m 42.1 × 10 <sup>3</sup> lbf.ft	43 kN.m 32 × 10 <sup>3</sup> lbf.ft	760 kN 171.1 × 10 <sup>3</sup> lbf	280 kN 62.9 × 10 <sup>3</sup> lbf	190 kN 42.7 × 10 <sup>3</sup> lbf	148 kN 33.3 × 10 <sup>3</sup> lbf	79 : 1	≤ 0.15°	52kg

# W14 | WORM DRIVE



## VIEW B OPTION

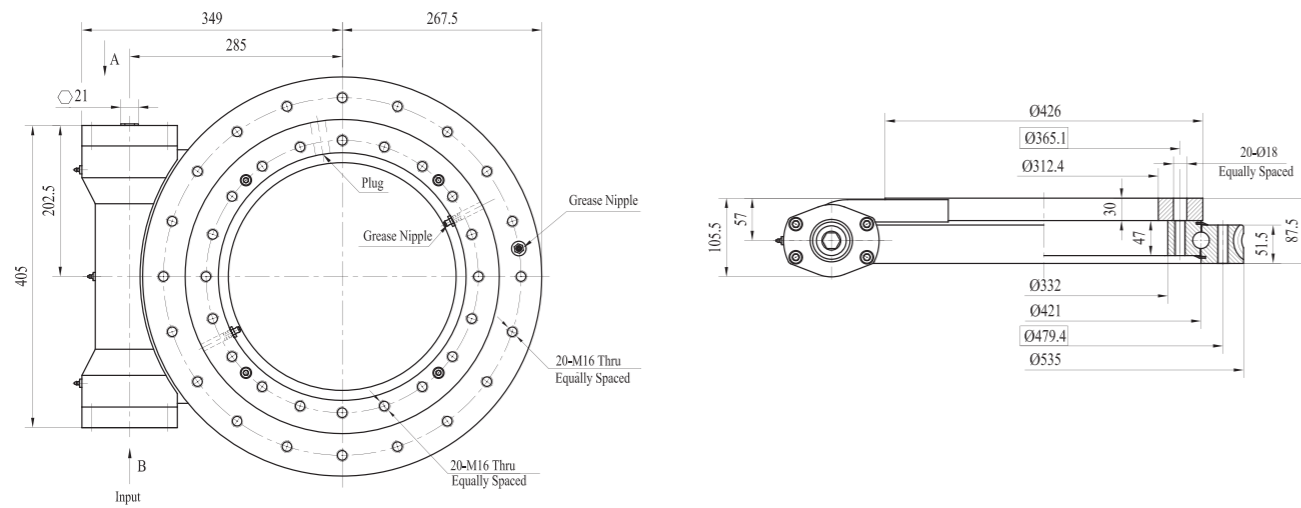


W14 Slew Drive Performance Parameters

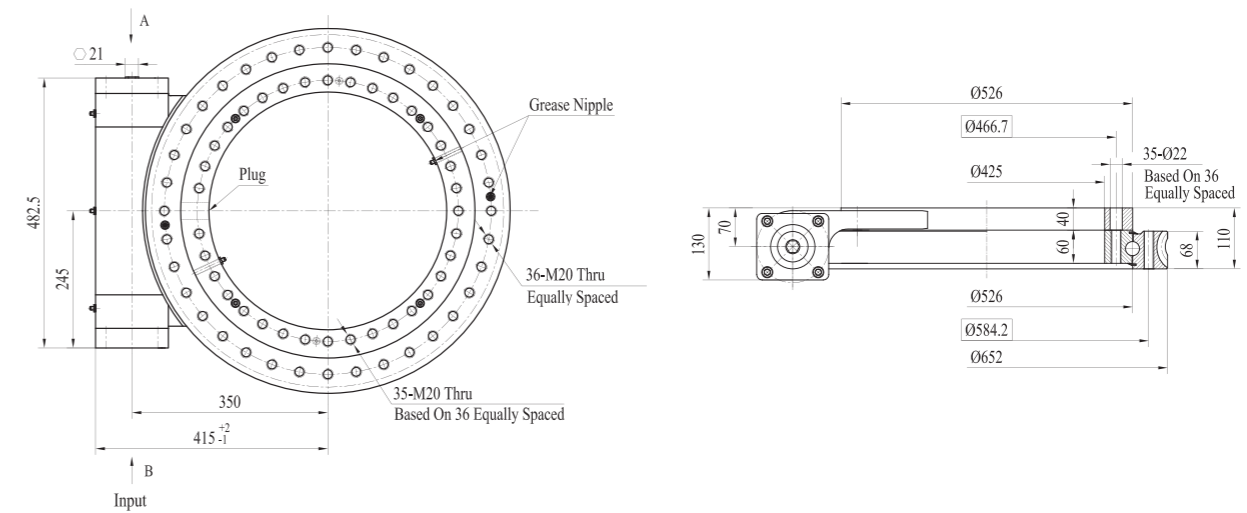
Data Model	Output Torque	Tilting Moment Torque	Holding Torque	Static Axial Rating	Static Radial Rating	Dynamic Axial Rating	Dynamic Radial Rating	Gear Ratio	Tracking Precision	Weight
W14	10.8 kN.m 7970 lbf.ft	71.2 kN.m 52.6 × 10 <sup>3</sup> lbf.ft	48 kN.m 35 × 10 <sup>3</sup> lbf.ft	960 kN 215.8 × 10 <sup>3</sup> lbf	360 kN 80.9 × 10 <sup>3</sup> lbf	230 kN 51.7 × 10 <sup>3</sup> lbf	200 kN 44.9 × 10 <sup>3</sup> lbf	86 : 1	≤ 0.13°	62kg



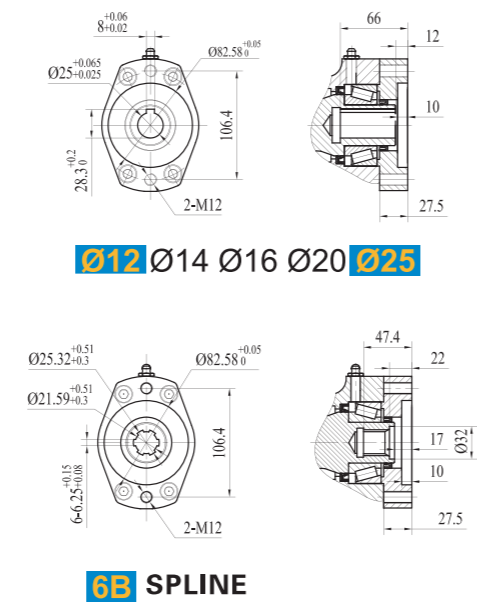
# W17 | WORM DRIVE



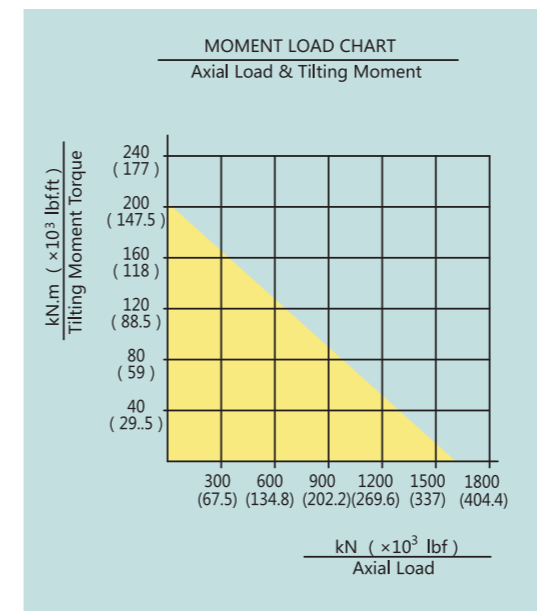
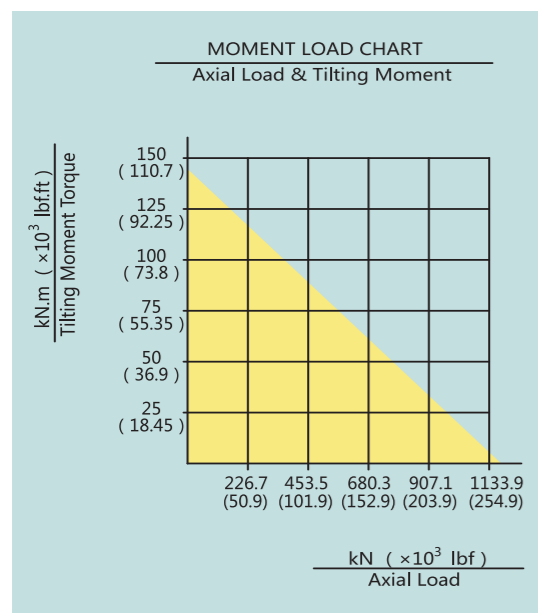
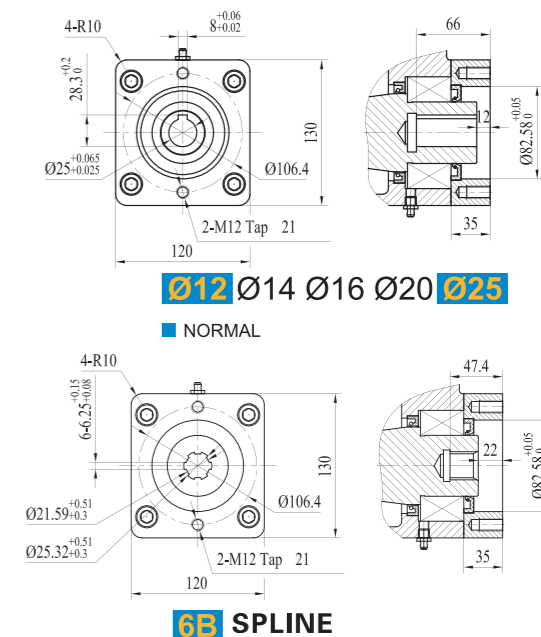
# W21 | WORM DRIVE



## VIEW B OPTION



## VIEW B OPTION



W17 Slew Drive Performance Parameters

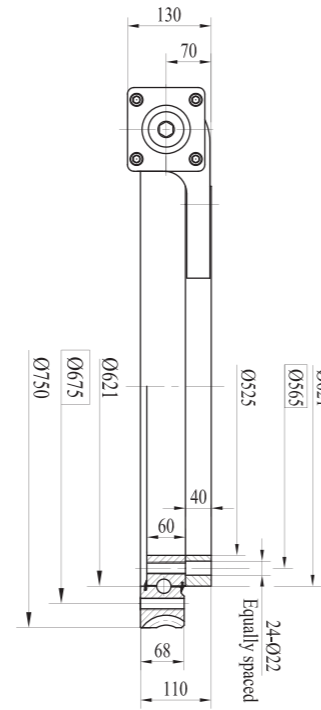
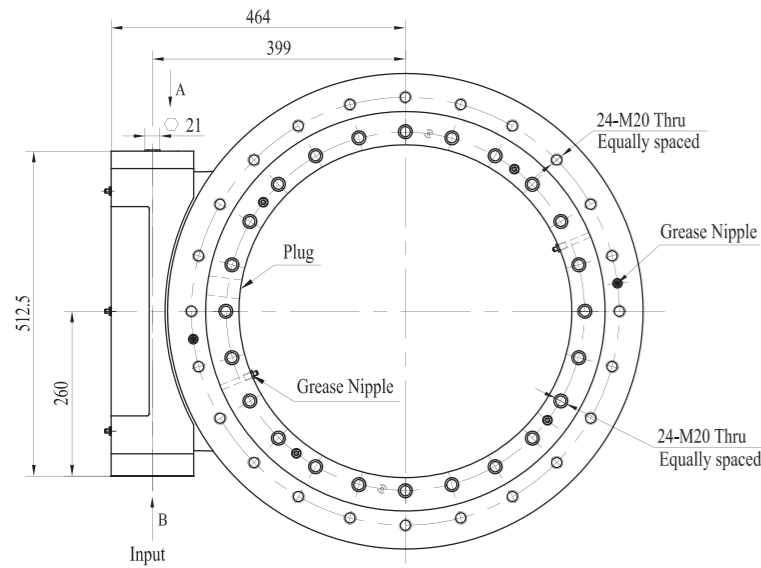
Data Model	Output Torque	Tilting Moment Torque	Holding Torque	Static Axial Rating	Static Radial Rating	Dynamic Axial Rating	Dynamic Radial Rating	Gear Ratio	Tracking Precision	Weight
W17	12.96 kN.m 9564 lbf.ft	142.4 kN.m 105 × 10 <sup>3</sup> lbf.ft	72.3 kN.m 53.4 × 10 <sup>3</sup> lbf.ft	1166 kN 262 × 10 <sup>3</sup> lbf	435 kN 97.8 × 10 <sup>3</sup> lbf	280 kN 62.9 × 10 <sup>3</sup> lbf	231 kN 51.9 × 10 <sup>3</sup> lbf	104 : 1	≦ 0.1°	82kg

W21 Slew Drive Performance Parameters

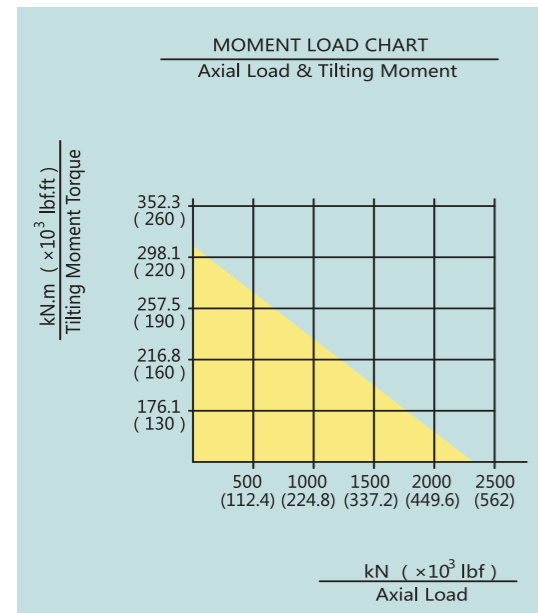
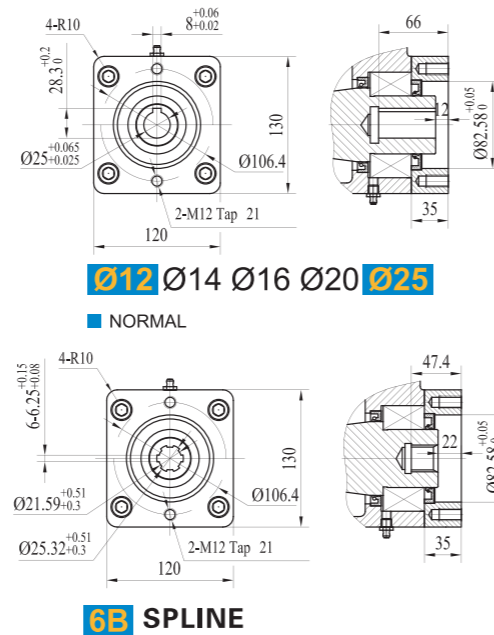
Data Model	Output Torque	Tilting Moment Torque	Holding Torque	Static Axial Rating	Static Radial Rating	Dynamic Axial Rating	Dynamic Radial Rating	Gear Ratio	Tracking Precision	Weight
W21	28.7 kN.m 21180 lbf.ft	203 kN.m 150 × 10 <sup>3</sup> lbf.ft	105.8 kN.m 78 × 10 <sup>3</sup> lbf.ft	1598 kN 359 × 10 <sup>3</sup> lbf	640 kN 144 × 10 <sup>3</sup> lbf	385 kN 87 × 10 <sup>3</sup> lbf	335 kN 75 × 10 <sup>3</sup> lbf	90 : 1	≦ 0.1°	139kg



**W25 | WORM DRIVE**



**VIEW B OPTION**



**W25 Slew Drive Performance Parameters**

Data Model	Output Torque	Tilting Moment Torque	Holding Torque	Static Axial Rating	Static Radial Rating	Dynamic Axial Rating	Dynamic Radial Rating	Gear Ratio	Tracking Precision	Weight
W25	34.2 kN.m 25240 lbf.ft	310 kN.m 229 × 10 <sup>3</sup> lbf.ft	158.3 kN.m 117 × 10 <sup>3</sup> lbf.ft	2360 kN 531 × 10 <sup>3</sup> lbf	945 kN 212 × 10 <sup>3</sup> lbf	590 kN 133 × 10 <sup>3</sup> lbf	470 kN 106 × 10 <sup>3</sup> lbf	104 : 1	≤ 0.1°	176kg



Harbor Mobile Crane



Side Loader

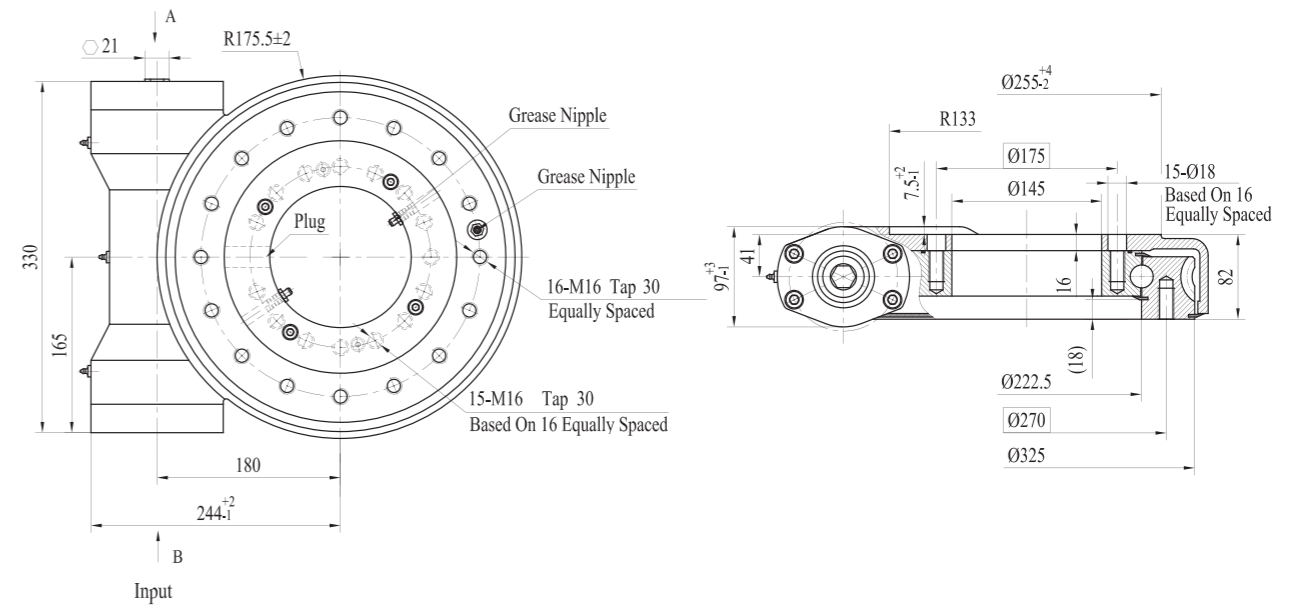




Service Trucks

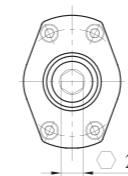


WD9 | WORM DRIVE

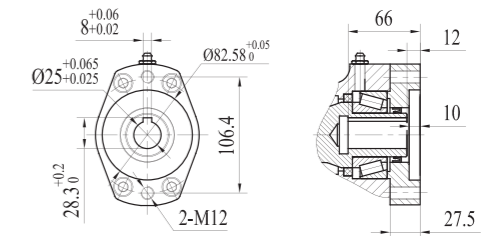


VIEW A

WITH HEX

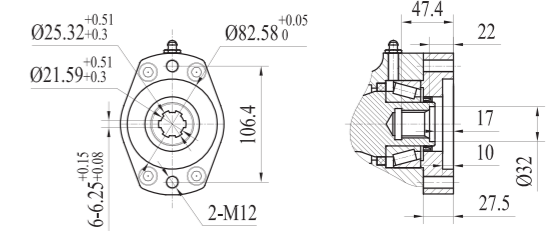


VIEW B OPTION

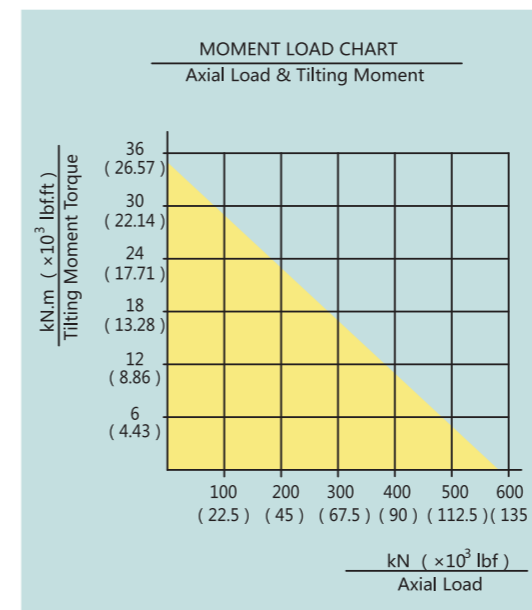


Ø12 Ø14 Ø16 Ø20 Ø25

■ NORMAL



6B SPLINE



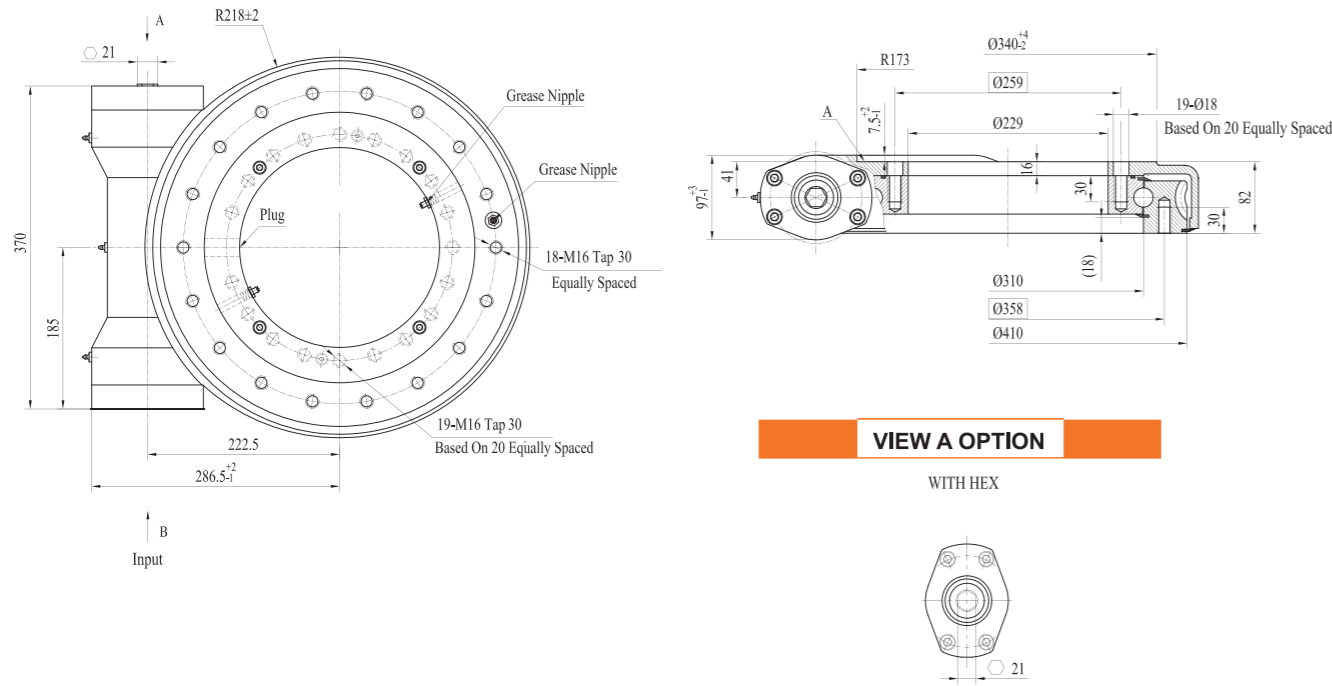
Aerial Lift

WD Slew Drive Performance Parameters

Data Model	Output Torque	Tilting Moment Torque	Holding Torque	Static Axial Rating	Static Radial Rating	Dynamic Axial Rating	Dynamic Radial Rating	Gear Ratio	Tracking Precision	Weight
WD9	8 kN.m 5904 lbf.ft	35.6 kN.m 26.3 × 10 <sup>3</sup> lbf.ft	38.7 kN.m 29 × 10 <sup>3</sup> lbf.ft	578 kN 129.9 × 10 <sup>3</sup> lbf	215 kN 48.3 × 10 <sup>3</sup> lbf	136 kN 30.6 × 10 <sup>3</sup> lbf	115 kN 25.9 × 10 <sup>3</sup> lbf	62 : 1	≤ 0.15°	48.5kg

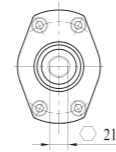


# WD12 | WORM DRIVE

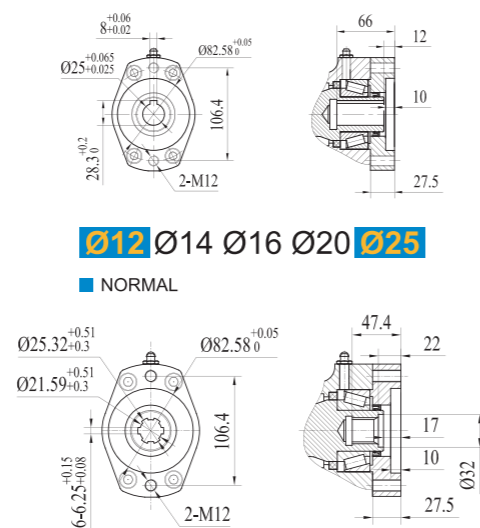
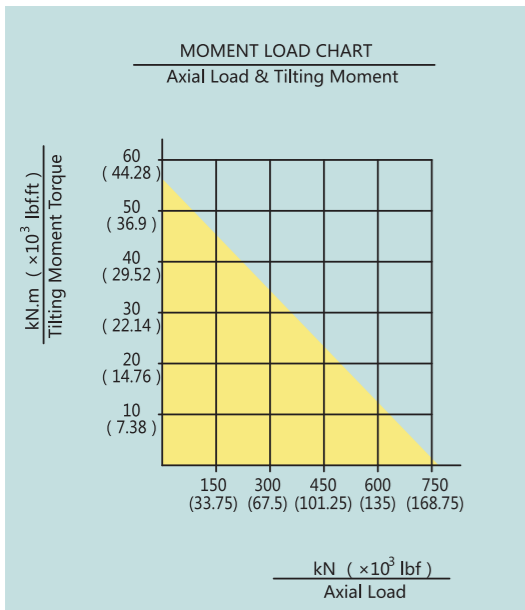


**VIEW A OPTION**

WITH HEX



**VIEW B OPTION**



Ø12 Ø14 Ø16 Ø20 Ø25

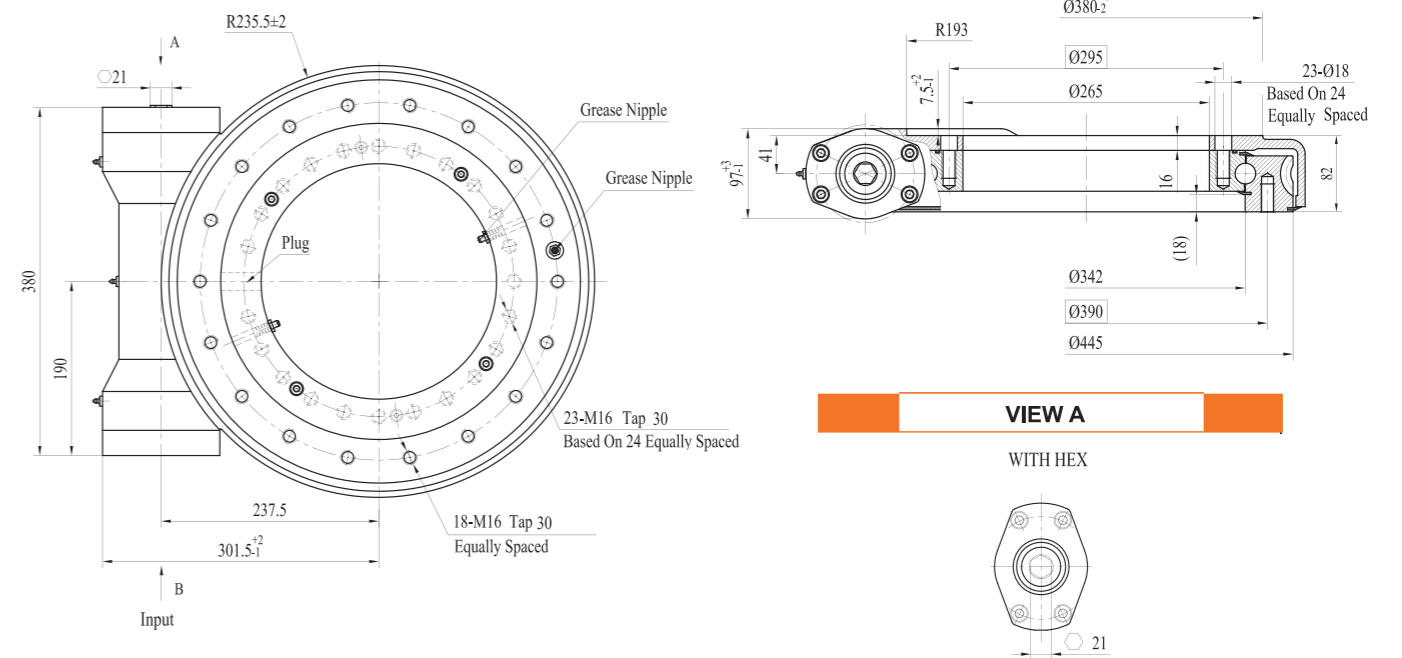
■ NORMAL

**6B SPLINE**

WD12 Slew Drive Performance Parameters

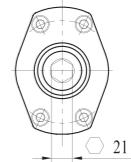
Data Model	Output Torque	Tilting Moment Torque	Holding Torque	Static Axial Rating	Static Radial Rating	Dynamic Axial Rating	Dynamic Radial Rating	Gear Ratio	Tracking Precision	Weight
WD12	9.5 kN.m	57 kN.m	43 kN.m	760 kN	280 kN	190 kN	148 kN	79 : 1	≤ 0.15°	61kg
	7011 lbf.ft	42.1 × 10 <sup>3</sup> lbf.ft	32 × 10 <sup>3</sup> lbf.ft	171.1 × 10 <sup>3</sup> lbf	62.9 × 10 <sup>3</sup> lbf	42.7 × 10 <sup>3</sup> lbf	33.3 × 10 <sup>3</sup> lbf			

# WD14 | WORM DRIVE

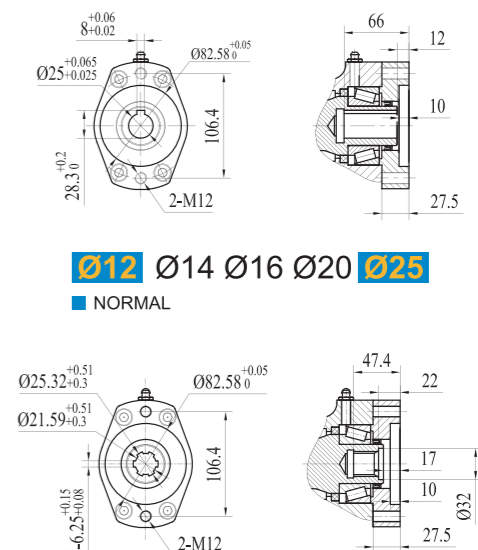
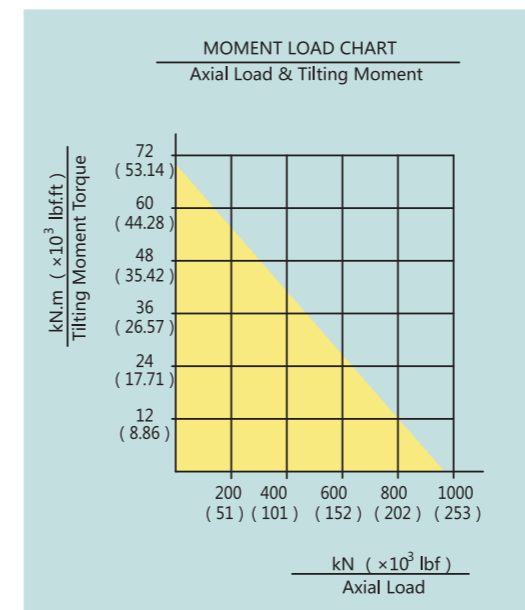


**VIEW A**

WITH HEX



**VIEW B OPTION**



Ø12 Ø14 Ø16 Ø20 Ø25

■ NORMAL

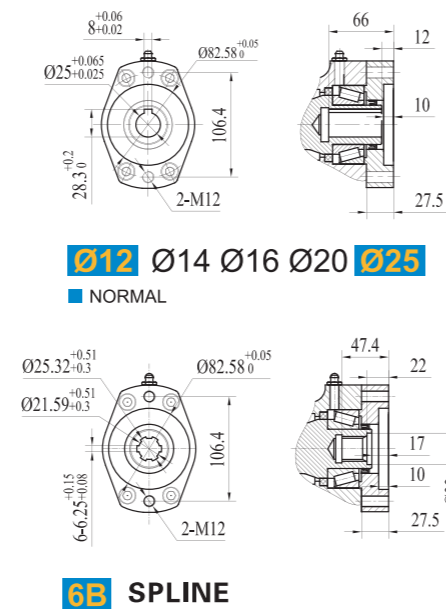
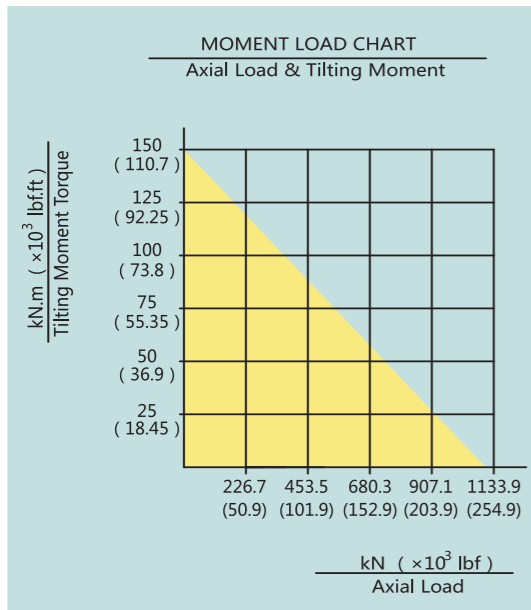
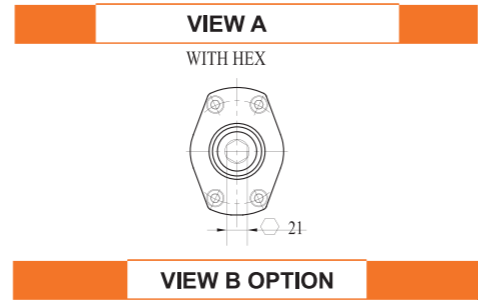
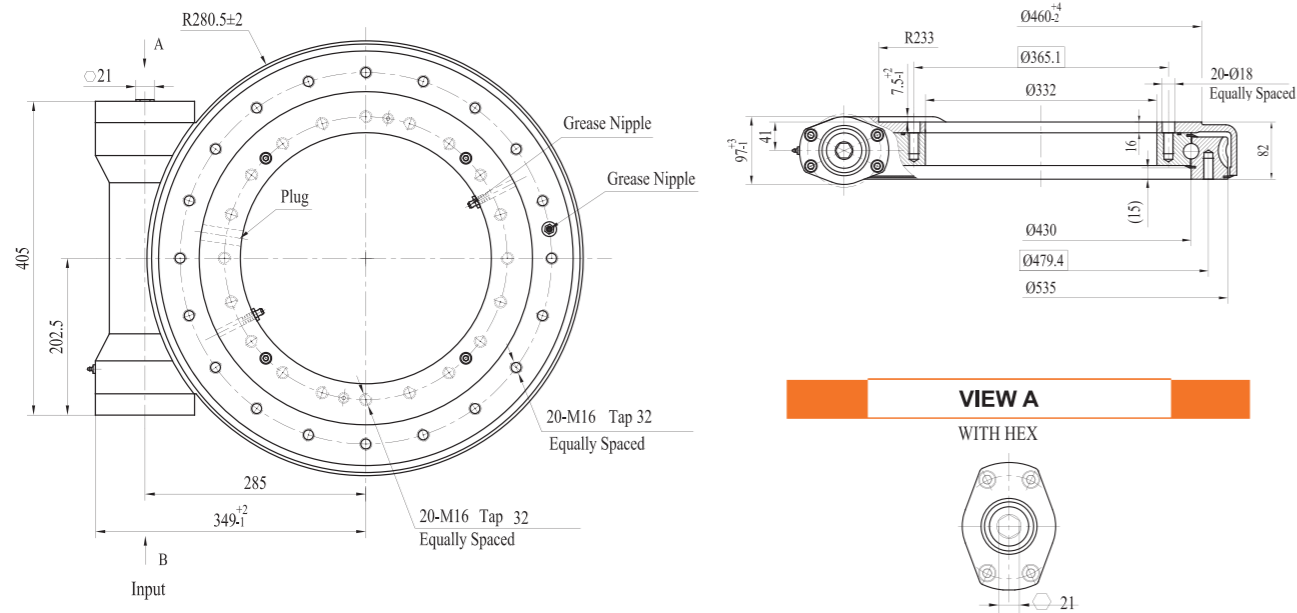
**6B SPLINE**

WD14 Slew Drive Performance Parameters

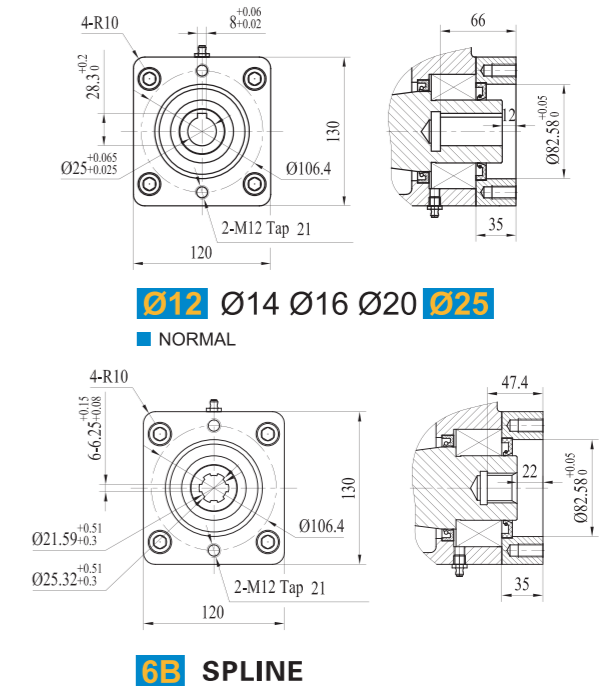
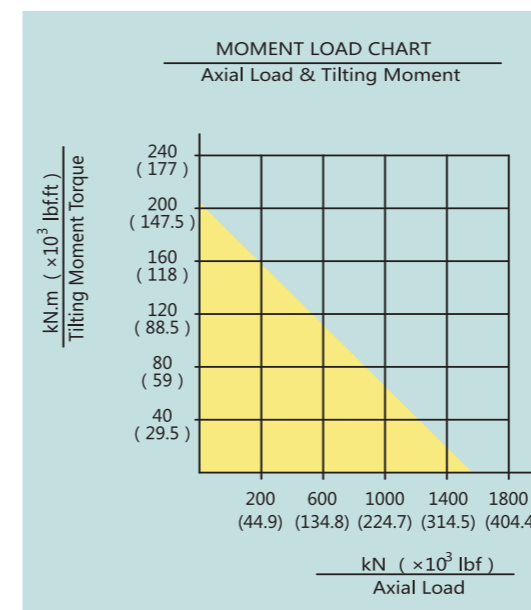
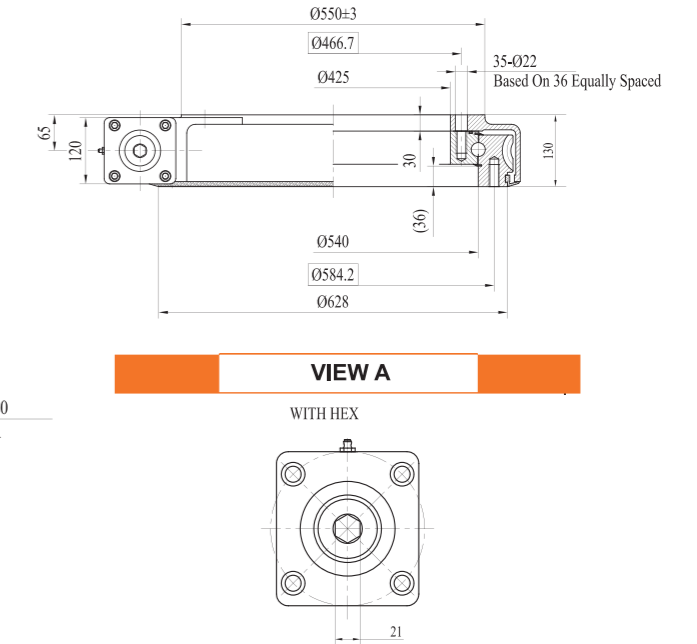
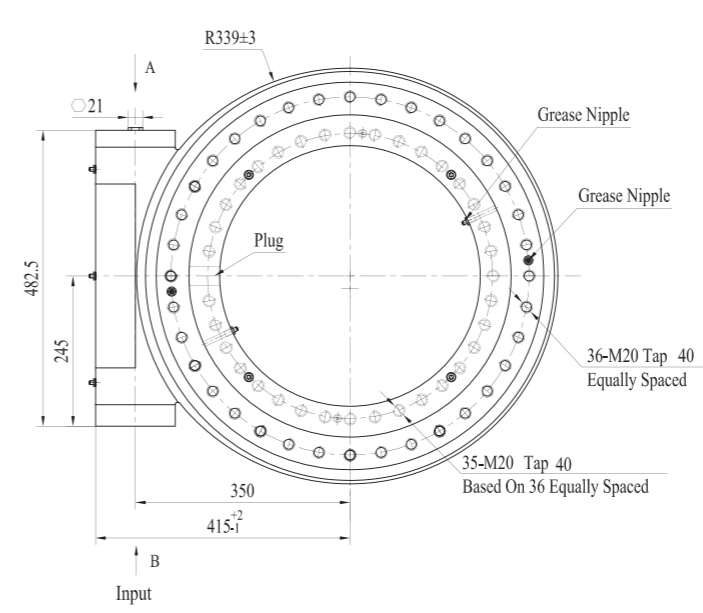
Data Model	Output Torque	Tilting Moment Torque	Holding Torque	Static Axial Rating	Static Radial Rating	Dynamic Axial Rating	Dynamic Radial Rating	Gear Ratio	Tracking Precision	Weight
WD14	10.8 kN.m	71.2 kN.m	48 kN.m	960 kN	360 kN	230 kN	200 kN	86 : 1	≤ 0.13°	68kg
	7970 lbf.ft	52.6 × 10 <sup>3</sup> lbf.ft	35 × 10 <sup>3</sup> lbf.ft	215.8 × 10 <sup>3</sup> lbf	80.9 × 10 <sup>3</sup> lbf	51.7 × 10 <sup>3</sup> lbf	44.9 × 10 <sup>3</sup> lbf			



# WD17 | WORM DRIVE



# WD21 | WORM DRIVE



WD17 Slew Drive Performance Parameters

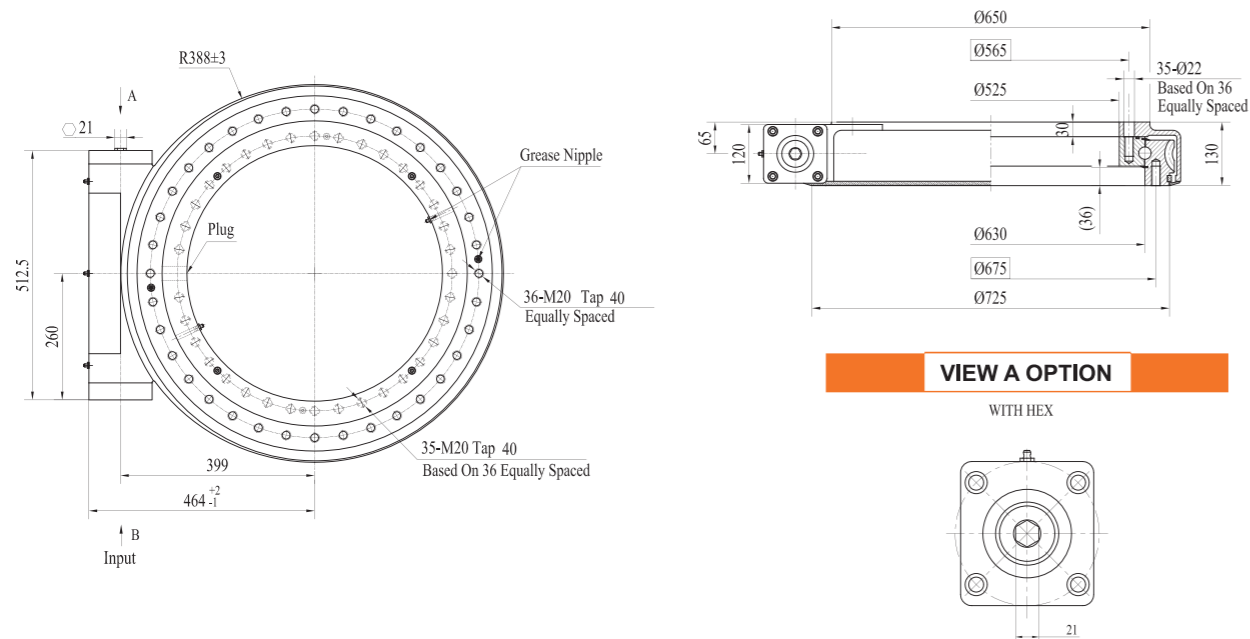
Data Model	Output Torque	Tilting Moment Torque	Holding Torque	Static Axial Rating	Static Radial Rating	Dynamic Axial Rating	Dynamic Radial Rating	Gear Ratio	Tracking Precision	Weight
WD17	12.96 kN.m 9564 lbf.ft	142.4 kN.m 105 × 10 <sup>3</sup> lbf.ft	72.3 kN.m 53.4 × 10 <sup>3</sup> lbf.ft	1166 kN 262 × 10 <sup>3</sup> lbf	435 kN 97.8 × 10 <sup>3</sup> lbf	280 kN 62.9 × 10 <sup>3</sup> lbf	231 kN 51.9 × 10 <sup>3</sup> lbf	104 : 1	≤ 0.1°	90kg

WD21 Slew Drive Performance Parameters

Data Model	Output Torque	Tilting Moment Torque	Holding Torque	Static Axial Rating	Static Radial Rating	Dynamic Axial Rating	Dynamic Radial Rating	Gear Ratio	Tracking Precision	Weight
WD21	28.7 kN.m 21180 lbf.ft	203 kN.m 150 × 10 <sup>3</sup> lbf.ft	105.8 kN.m 78.1 × 10 <sup>3</sup> lbf.ft	1598 kN 359 × 10 <sup>3</sup> lbf	640 kN 144 × 10 <sup>3</sup> lbf	385 kN 87 × 10 <sup>3</sup> lbf	335 kN 75 × 10 <sup>3</sup> lbf	90 : 1	≤ 0.1°	169kg



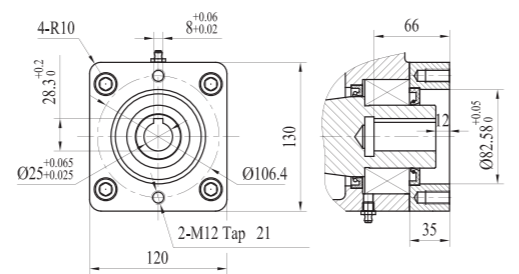
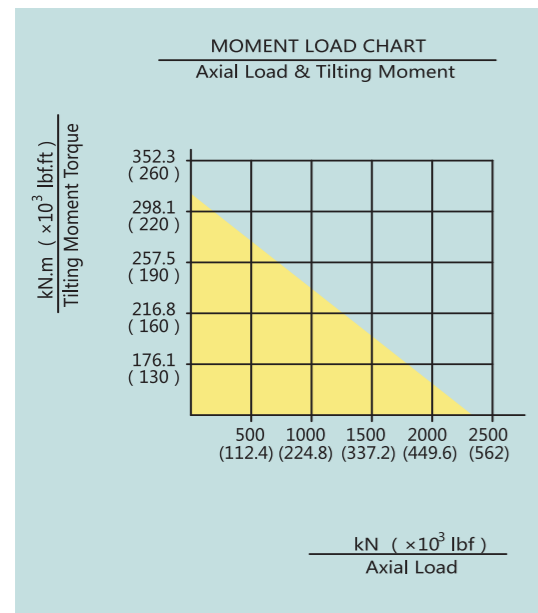
# WD25 | WORM DRIVE



**VIEW A OPTION**

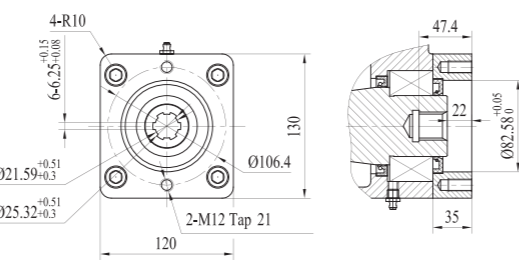
WITH HEX

**VIEW B OPTION**



**Ø12 Ø14 Ø16 Ø20 Ø25**

■ NORMAL

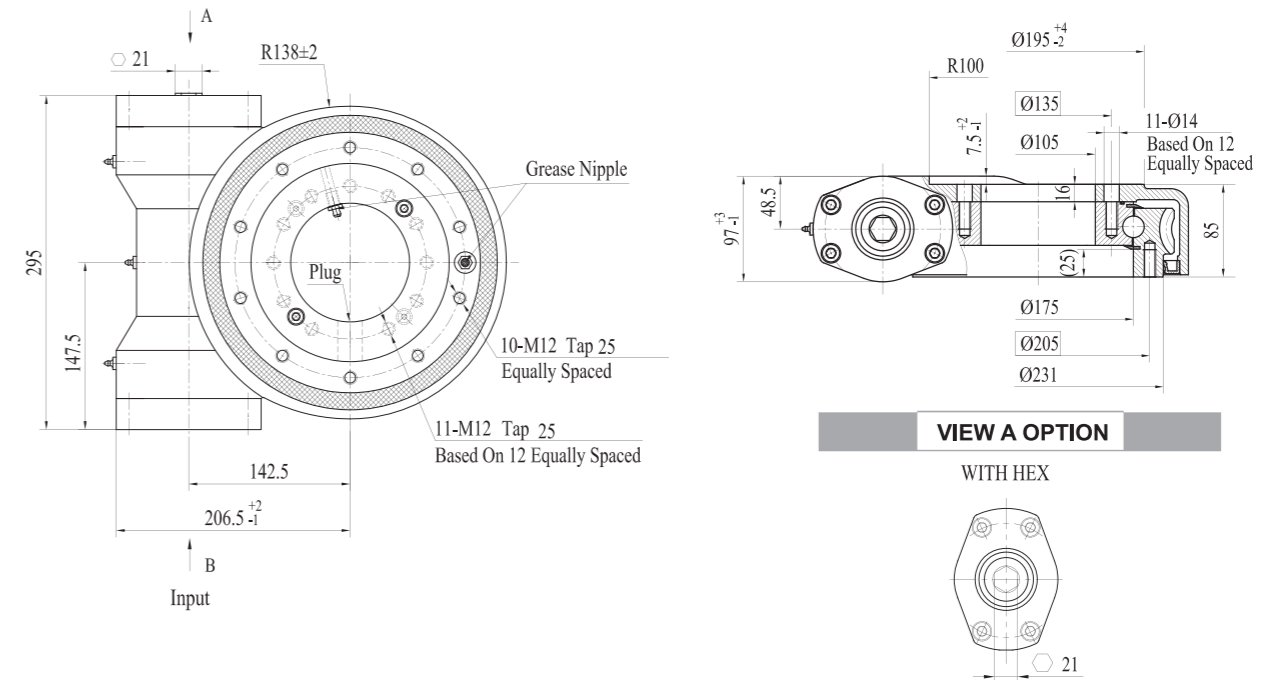


**6B SPLINE**

WD25 Slew Drive Performance Parameters

Data Model	Output Torque	Tilting Moment Torque	Holding Torque	Static Axial Rating	Static Radial Rating	Dynamic Axial Rating	Dynamic Radial Rating	Gear Ratio	Tracking Precision	Weight 重量
WD25	34.2 kN.m 25240 lbf.ft	310 kN.m 229 × 10 <sup>3</sup> lbf.ft	158.3 kN.m 117 × 10 <sup>3</sup> lbf.ft	2360 kN 531 × 10 <sup>3</sup> lbf	945 kN 212 × 10 <sup>3</sup> lbf	590 kN 133 × 10 <sup>3</sup> lbf	470 kN 106 × 10 <sup>3</sup> lbf	104 : 1	≦ 0.1°	199kg

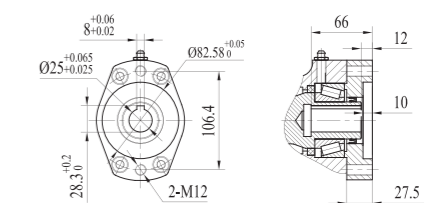
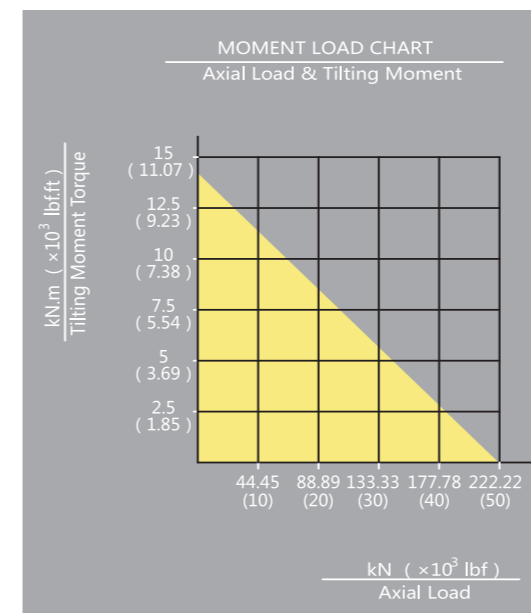
# WDA7 | WORM DRIVE



**VIEW A OPTION**

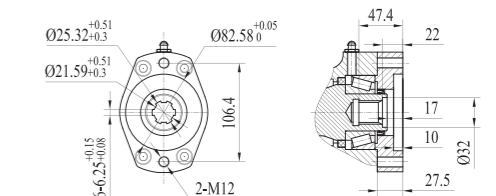
WITH HEX

**VIEW B OPTION**



**Ø12 Ø14 Ø16 Ø20 Ø25**

■ NORMAL



**6B SPLINE**

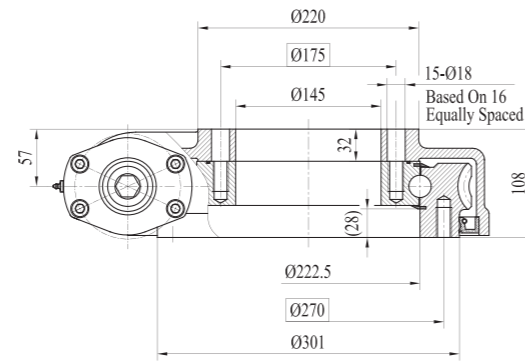
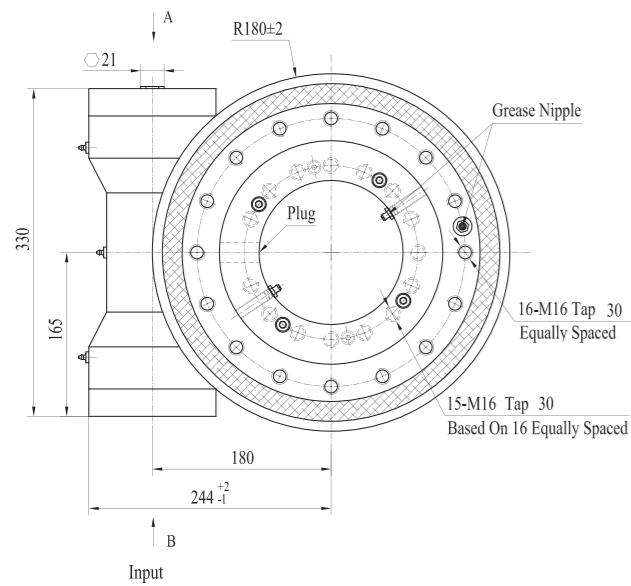
WDA7 Slew Drive Performance Parameters

Data Model	Output Torque	Tilting Moment Torque	Holding Torque	Static Axial Rating	Static Radial Rating	Dynamic Axial Rating	Dynamic Radial Rating	Gear Ratio	Tracking Precision	Weight
WDA7	3.5 kN.m 2583 lbf.ft	14.2 kN.m 10.5 × 10 <sup>3</sup> lbf.ft	20 kN.m 14.8 × 10 <sup>3</sup> lbf.ft	220 kN 49.5 × 10 <sup>3</sup> lbf	90 kN 20.2 × 10 <sup>3</sup> lbf	63 kN 14.2 × 10 <sup>3</sup> lbf	48 kN 10.8 × 10 <sup>3</sup> lbf	47 : 1	≦ 0.15°	35kg



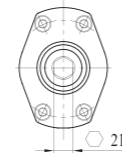


# WDA9 | WORM DRIVE

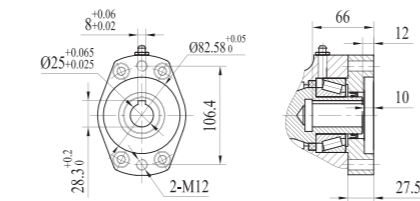
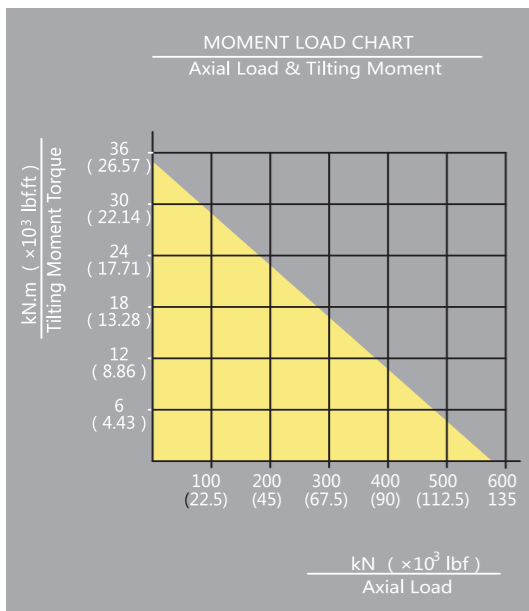


**VIEW A OPTION**

WITH HEX

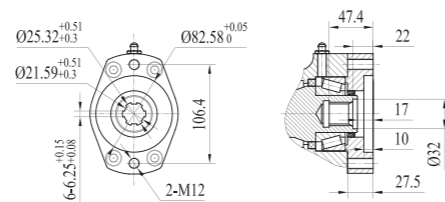


**VIEW B OPTION**



**Ø12 Ø14 Ø16 Ø20 Ø25**

■ NORMAL

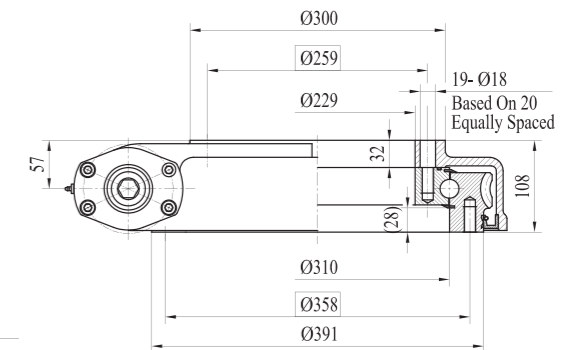
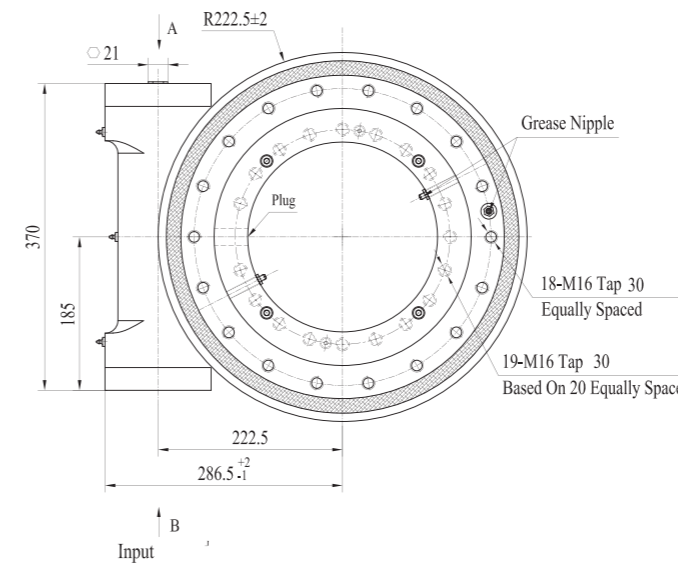


**6B SPLINE**

WDA9 Slew Drive Performance Parameters

Data Model	Output Torque	Tilting Moment Torque	Holding Torque	Static Axial Rating	Static Radial Rating	Dynamic Axial Rating	Dynamic Radial Rating	Gear Ratio	Tracking Precision	Weight
WDA9	8 kN.m 5904 lbf.ft	35.6 kN.m 26.3 × 10 <sup>3</sup> lbf.ft	38.7 kN.m 29 × 10 <sup>3</sup> lbf.ft	578 kN 129.9 × 10 <sup>3</sup> lbf	215 kN 48.3 × 10 <sup>3</sup> lbf	136 kN 30.6 × 10 <sup>3</sup> lbf	115 kN 25.9 × 10 <sup>3</sup> lbf	62 : 1	≤ 0.15°	53kg

# WDA12 | WORM DRIVE

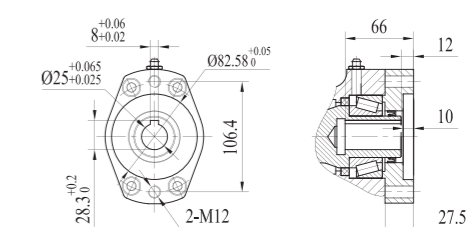
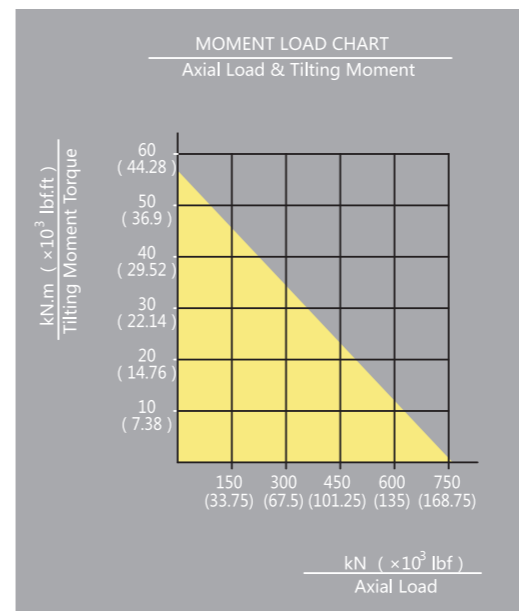


**VIEW A OPTION**

WITH HEX

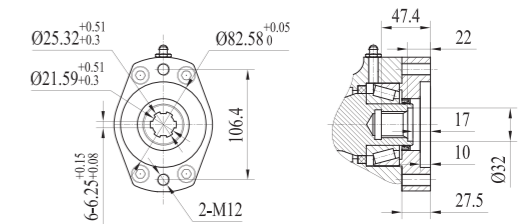


**VIEW B OPTION**



**Ø12 Ø14 Ø16 Ø20 Ø25**

■ NORMAL



**6B SPLINE**

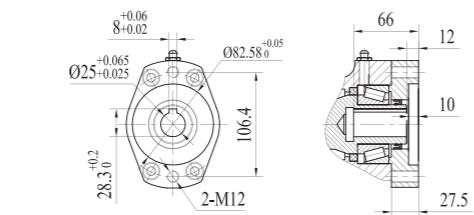
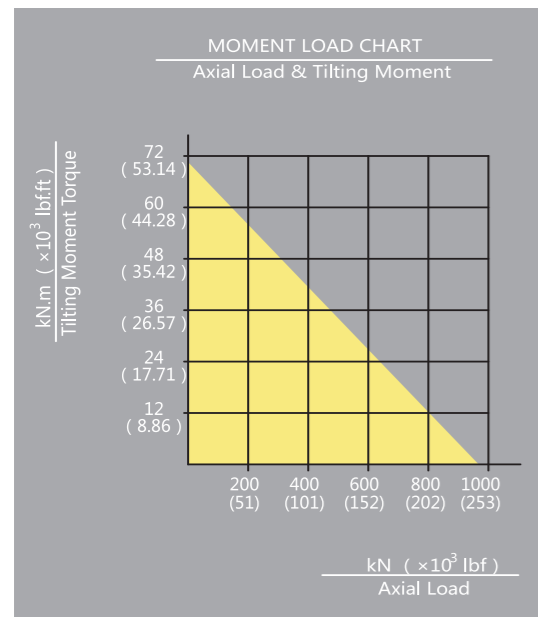
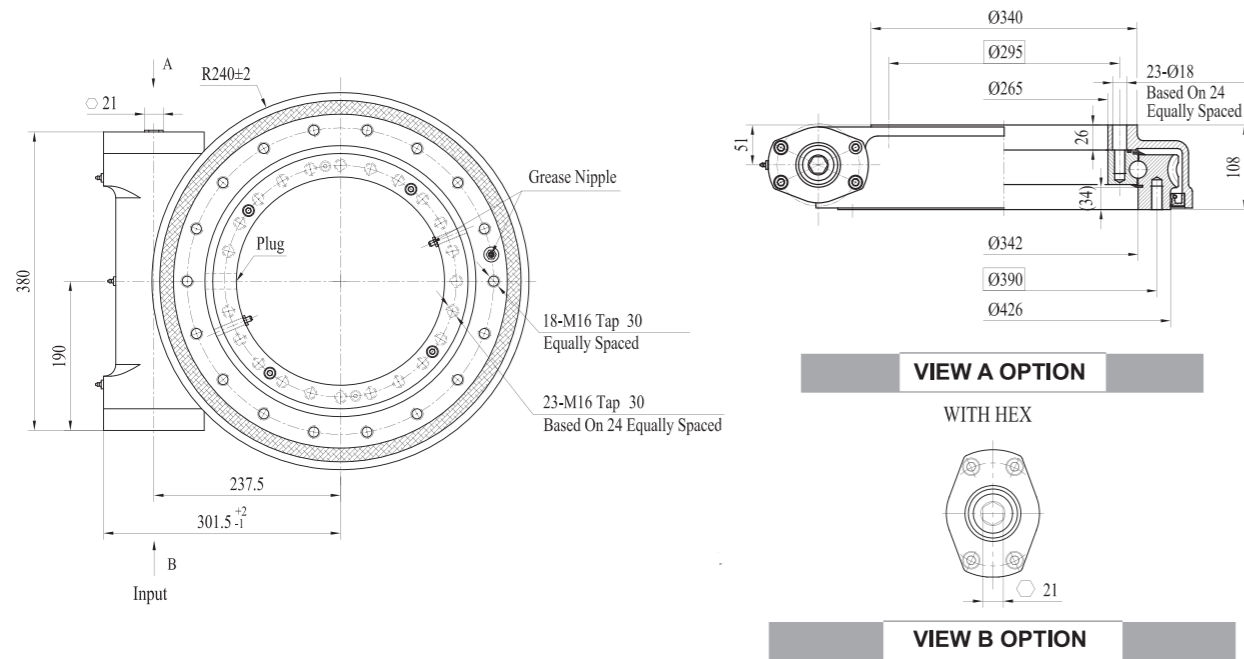
WDA12 Slew Drive Performance Parameters

Data Model	Output Torque	Tilting Moment Torque	Holding Torque	Static Axial Rating	Static Radial Rating	Dynamic Axial Rating	Dynamic Radial Rating	Gear Ratio	Tracking Precision	Weight
WDA12	9.5 kN.m 7011 lbf.ft	57 kN.m 42.1 × 10 <sup>3</sup> lbf.ft	43 kN.m 32 × 10 <sup>3</sup> lbf.ft	760 kN 171.1 × 10 <sup>3</sup> lbf	280 kN 62.9 × 10 <sup>3</sup> lbf	190 kN 42.7 × 10 <sup>3</sup> lbf	148 kN 33.3 × 10 <sup>3</sup> lbf	79 : 1	≤ 0.15°	66.8kg

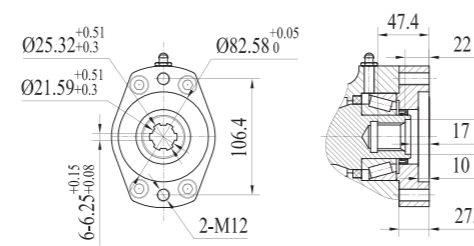




## WDA14 | WORM DRIVE



Ø12 Ø14 Ø16 Ø20 Ø25  
■ NORMAL

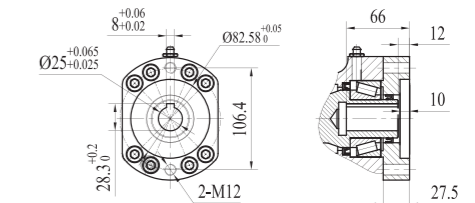
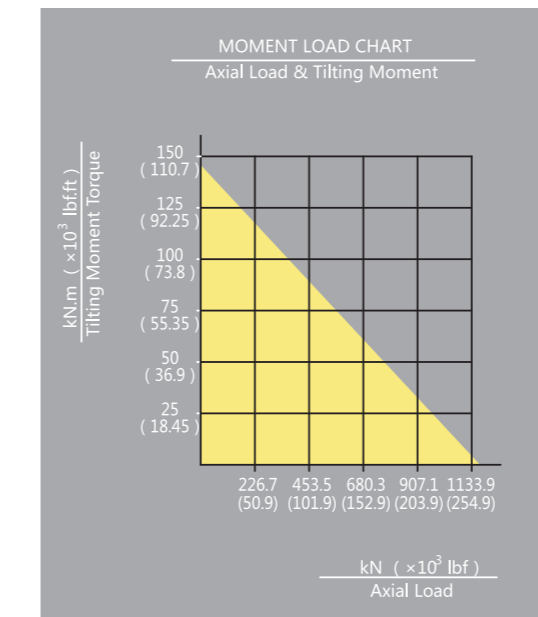
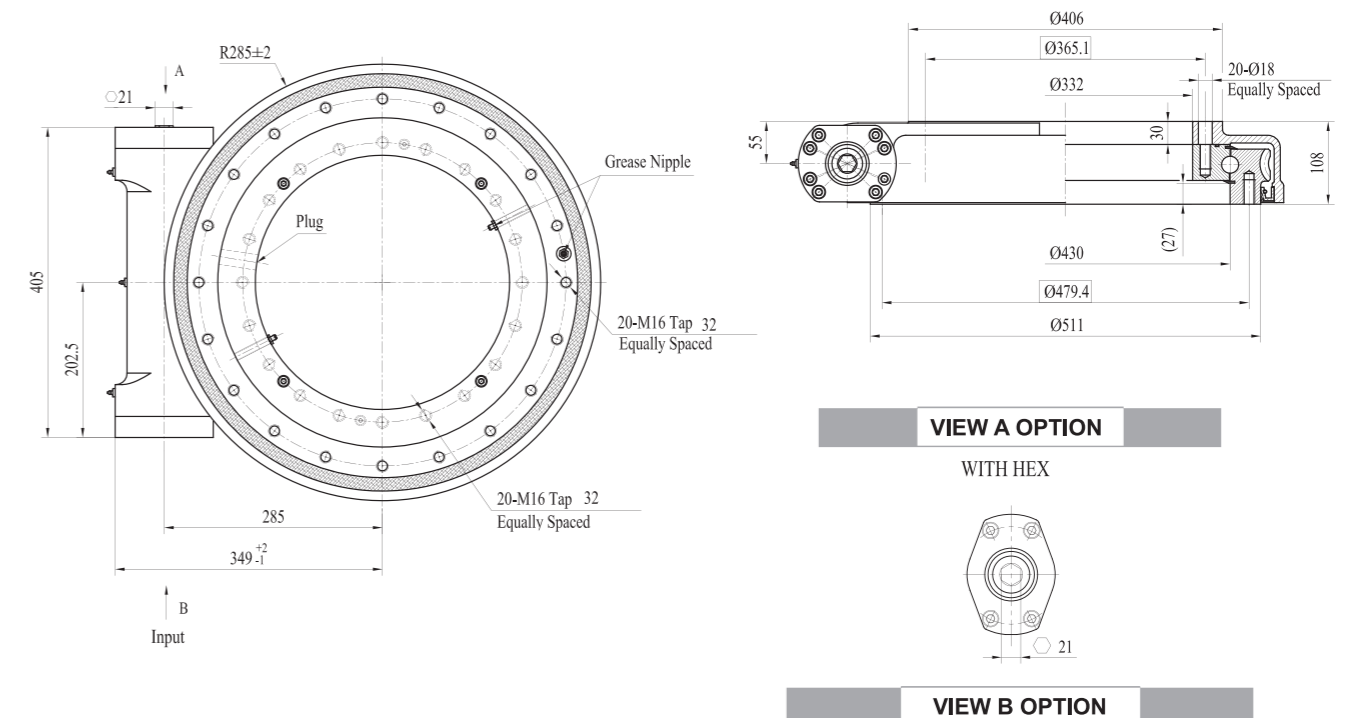


**6B SPLINE**

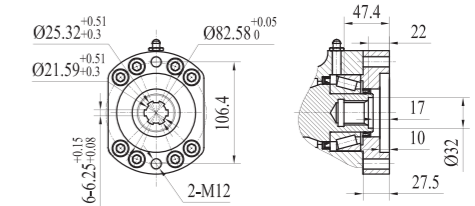
WDA14 Slew Drive Performance Parameters

Data Model	Output Torque	Tilting Moment Torque	Holding Torque	Static Axial Rating	Static Radial Rating	Dynamic Axial Rating	Dynamic Radial Rating	Gear Ratio	Tracking Precision	Weight
WDA14	10.8 kN.m	71.2 kN.m	48 kN.m	960 kN	360 kN	230 kN	200 kN	86 : 1	≤ 0.13°	75kg
	7970 lbf.ft	52.6 × 10 <sup>3</sup> lbf.ft	35 × 10 <sup>3</sup> lbf.ft	215.8 × 10 <sup>3</sup> lbf	80.9 × 10 <sup>3</sup> lbf	51.7 × 10 <sup>3</sup> lbf	44.9 × 10 <sup>3</sup> lbf			

## WDA17 | WORM DRIVE



Ø12 Ø14 Ø16 Ø20 Ø25  
■ NORMAL



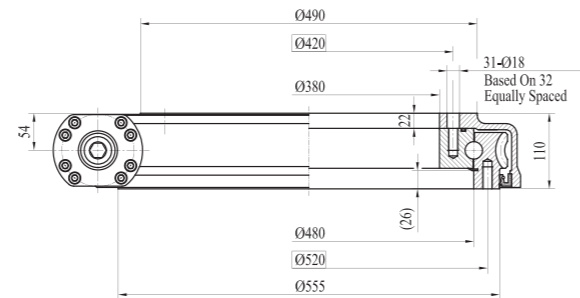
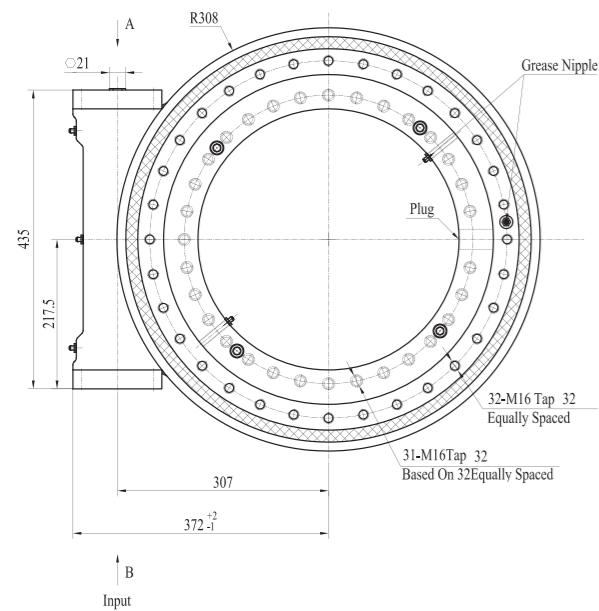
**6B SPLINE**

WDA17 Slew Drive Performance Parameters

Data Model	Output Torque	Tilting Moment Torque	Holding Torque	Static Axial Rating	Static Radial Rating	Dynamic Axial Rating	Dynamic Radial Rating	Gear Ratio	Tracking Precision	Weight
WDA17	12.96 kN.m	142.4 kN.m	72.3 kN.m	1166 kN	435 kN	280 kN	231 kN	104 : 1	≤ 0.1°	96kg
	9564 lbf.ft	105 × 10 <sup>3</sup> lbf.ft	53.4 × 10 <sup>3</sup> lbf.ft	262 × 10 <sup>3</sup> lbf	97.8 × 10 <sup>3</sup> lbf	62.9 × 10 <sup>3</sup> lbf	51.9 × 10 <sup>3</sup> lbf			

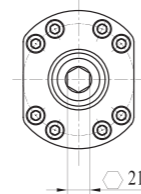


# WDA19 | WORM DRIVE

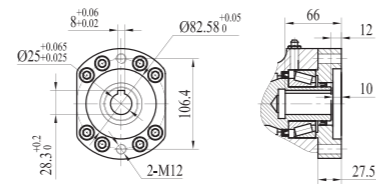


**VIEW A OPTION**

WITH HEX

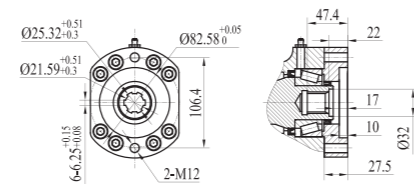


**VIEW B OPTION**

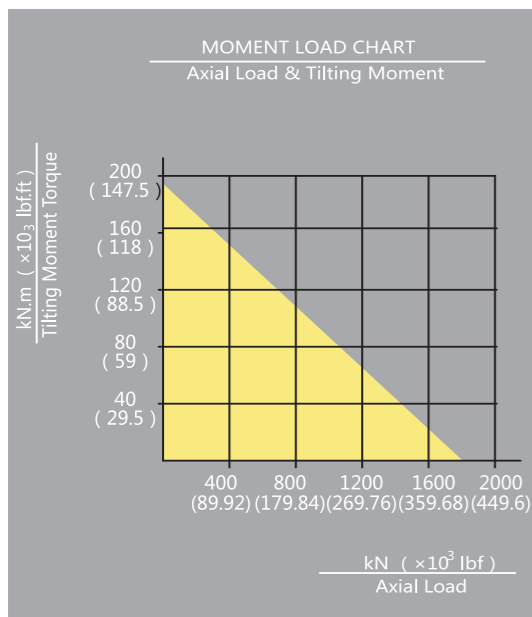


Ø12 Ø14 Ø16 Ø20 Ø25

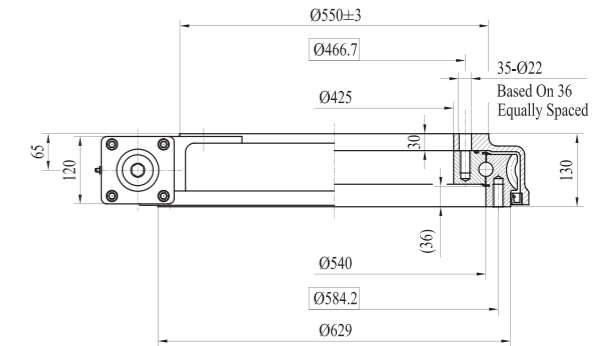
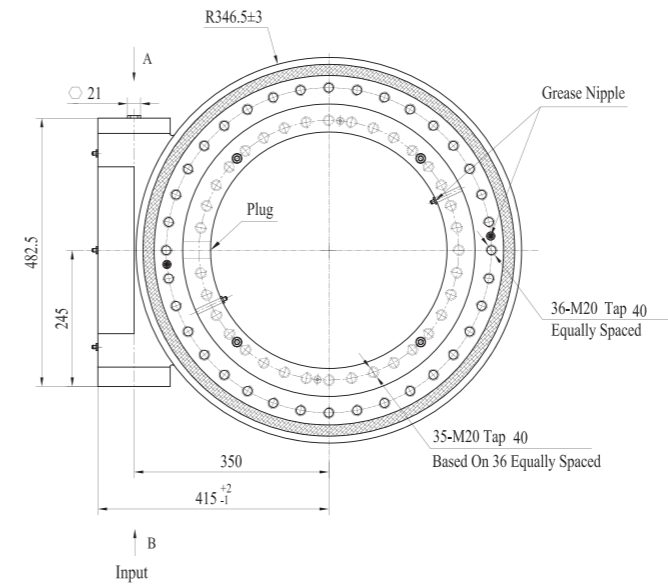
■ NORMAL



**6B SPLINE**

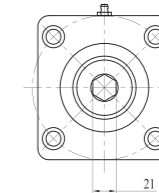


# WDA21 | WORM DRIVE

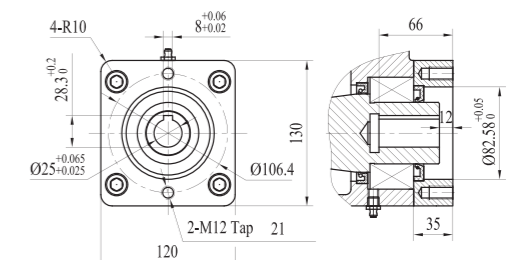


**VIEW A OPTION**

WITH HEX

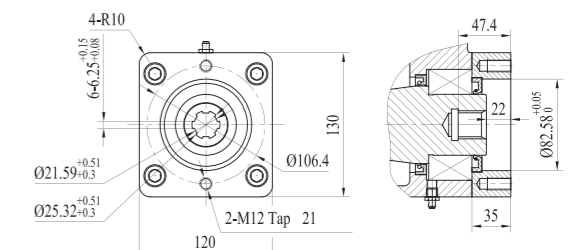


**VIEW B OPTION**

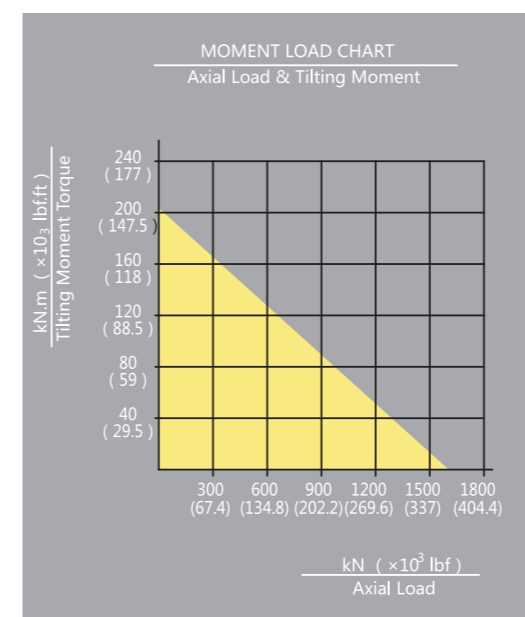


Ø12 Ø14 Ø16 Ø20 Ø25

■ NORMAL



**6B SPLINE**



WDA19 Slew Drive Performance Parameters

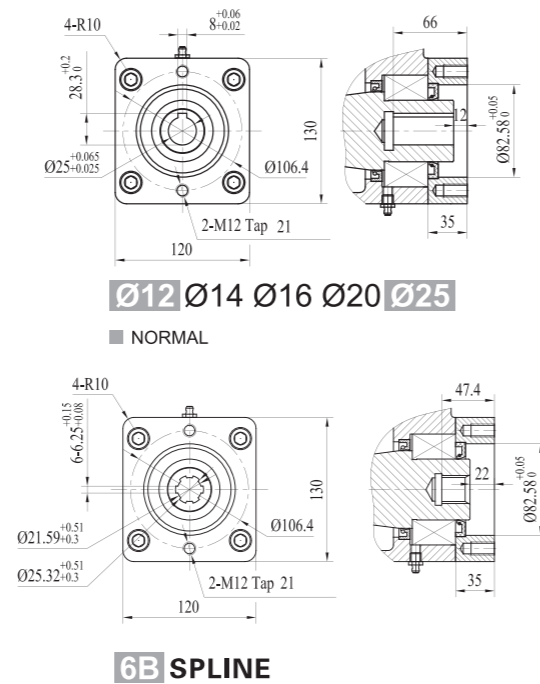
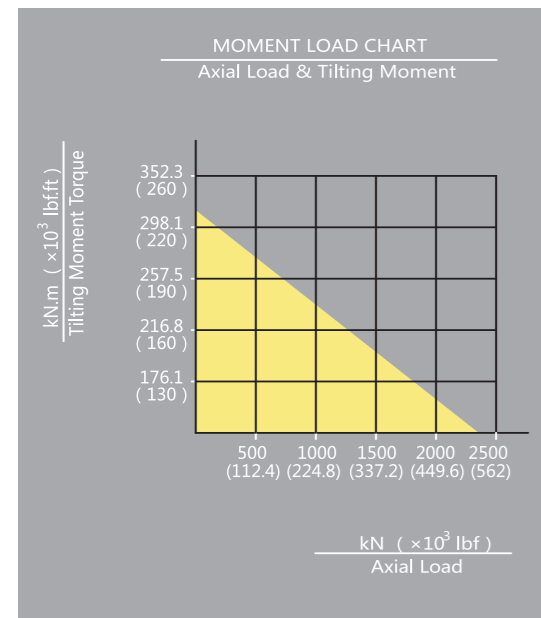
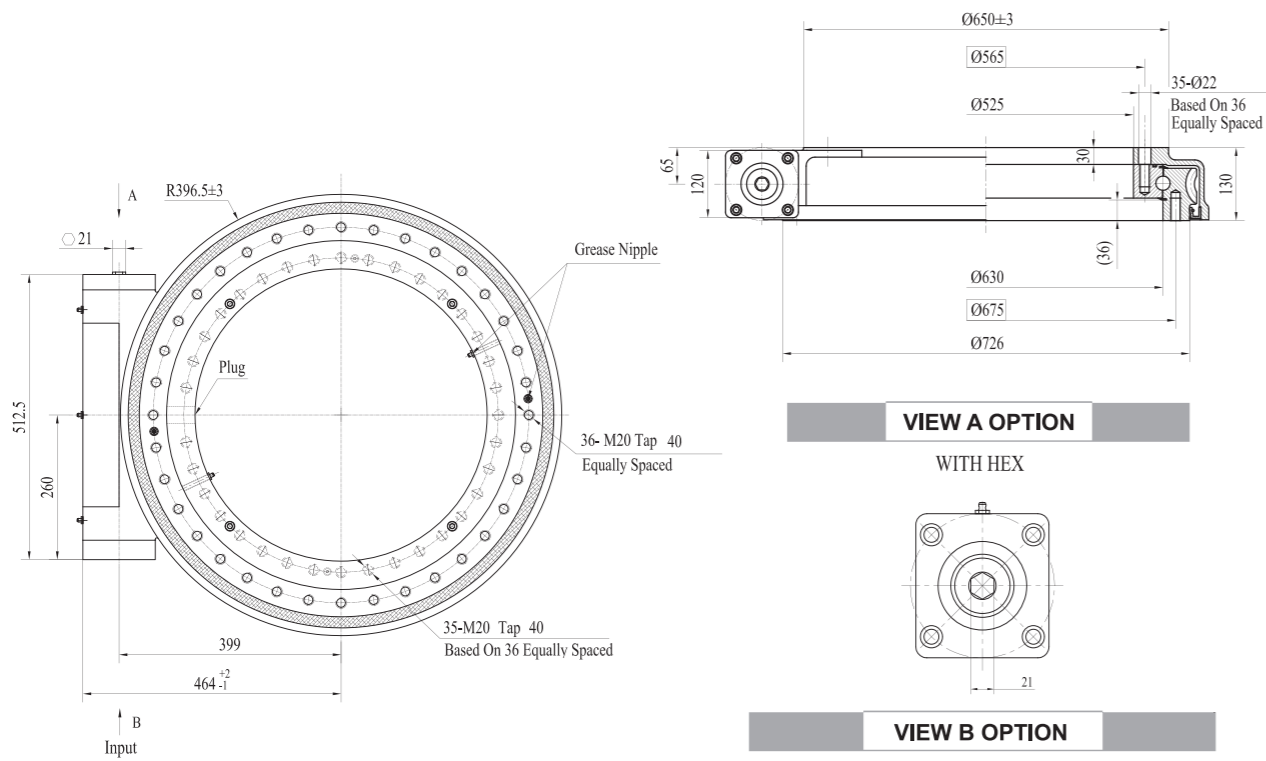
Data Model	Output Torque	Tilting Moment Torque	Holding Torque	Static Axial Rating	Static Radial Rating	Dynamic Axial Rating	Dynamic Radial Rating	Gear Ratio	Tracking Precision	Weight
WDA19	18.5 kN.m (13653 lbf.ft)	196 kN.m (144.6 × 10 <sup>3</sup> lbf.ft)	86.7 kN.m (64 × 10 <sup>3</sup> lbf.ft)	1800 kN (404.6 × 10 <sup>3</sup> lbf)	675 kN (151.7 × 10 <sup>3</sup> lbf)	290 kN (65.2 × 10 <sup>3</sup> lbf)	250 kN (56.2 × 10 <sup>3</sup> lbf)	93 : 1	≤ 0.1°	130kg

WDA21 Slew Drive Performance Parameters

Data Model	Output Torque	Tilting Moment Torque	Holding Torque	Static Axial Rating	Static Radial Rating	Dynamic Axial Rating	Dynamic Radial Rating	Gear Ratio	Tracking Precision	Weight
WDA21	28.7 kN.m (21180 lbf.ft)	203 kN.m (150 × 10 <sup>3</sup> lbf.ft)	105.8 kN.m (78.1 × 10 <sup>3</sup> lbf.ft)	1598 kN (359 × 10 <sup>3</sup> lbf)	640 kN (144 × 10 <sup>3</sup> lbf)	385 kN (87 × 10 <sup>3</sup> lbf)	335 kN (75 × 10 <sup>3</sup> lbf)	90 : 1	≤ 0.1°	172kg



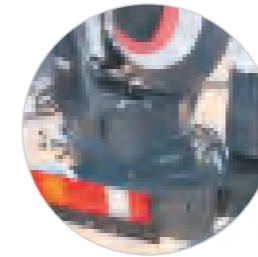
# WDA25 | WORM DRIVE



## WDA25 Slew Drive Performance Parameters

Data Model	Output Torque	Tilting Moment Torque	Holding Torque	Static Axial Rating	Static Radial Rating	Dynamic Axial Rating	Dynamic Radial Rating	Gear Ratio	Tracking Precision	Weight
WDA25	34.2 kN.m	310 kN.m	158.3 kN.m	2360 kN	945 kN	590 kN	470 kN	104 : 1	≠ 0.1°	202kg
	25240 lbf.ft	229 × 10 <sup>3</sup> lbf.ft	117 × 10 <sup>3</sup> lbf.ft	531 × 10 <sup>3</sup> lbf	212 × 10 <sup>3</sup> lbf	133 × 10 <sup>3</sup> lbf	106 × 10 <sup>3</sup> lbf			

1-888-734-5690 www.socareusa.net  
Quality Creates Value



Cement Mixer Manipulators



For the Rotation and Tilting Device of a Front Loader

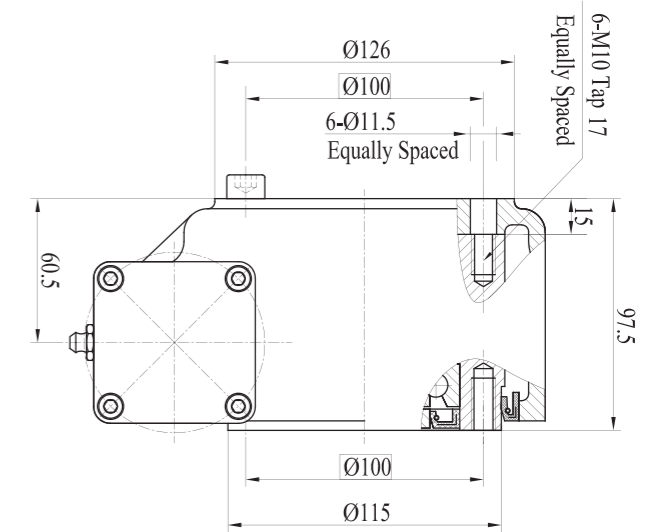
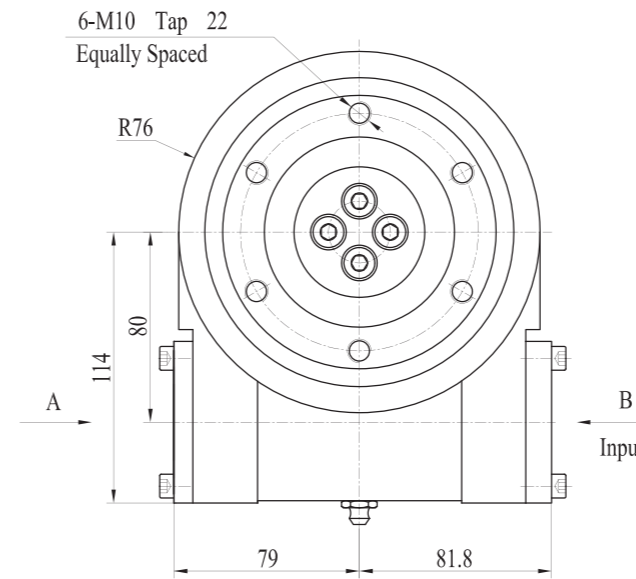
1-888-734-5690 www.socareusa.net  
Quality Creates Value



**SD3 | SLEW DRIVE**

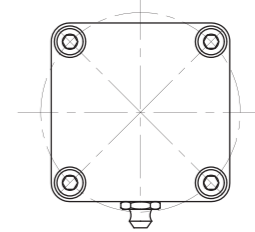


Cemetery Excavator

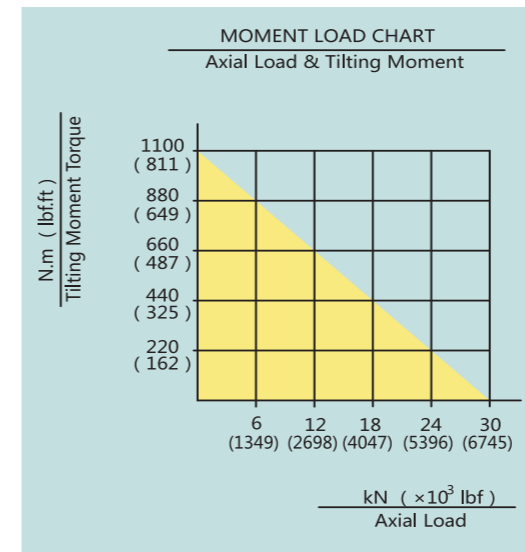
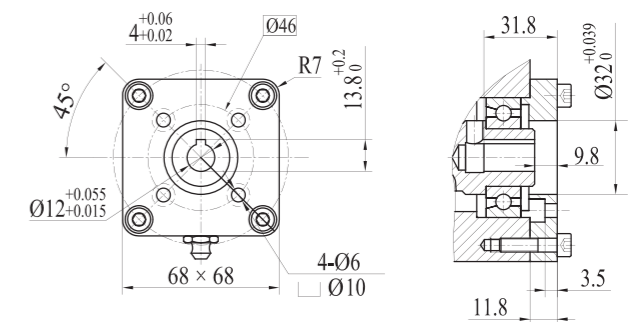


**VIEW A**

END CAP



**VIEW B**



Bank Mower



SD3C Slew Drive Performance Parameters

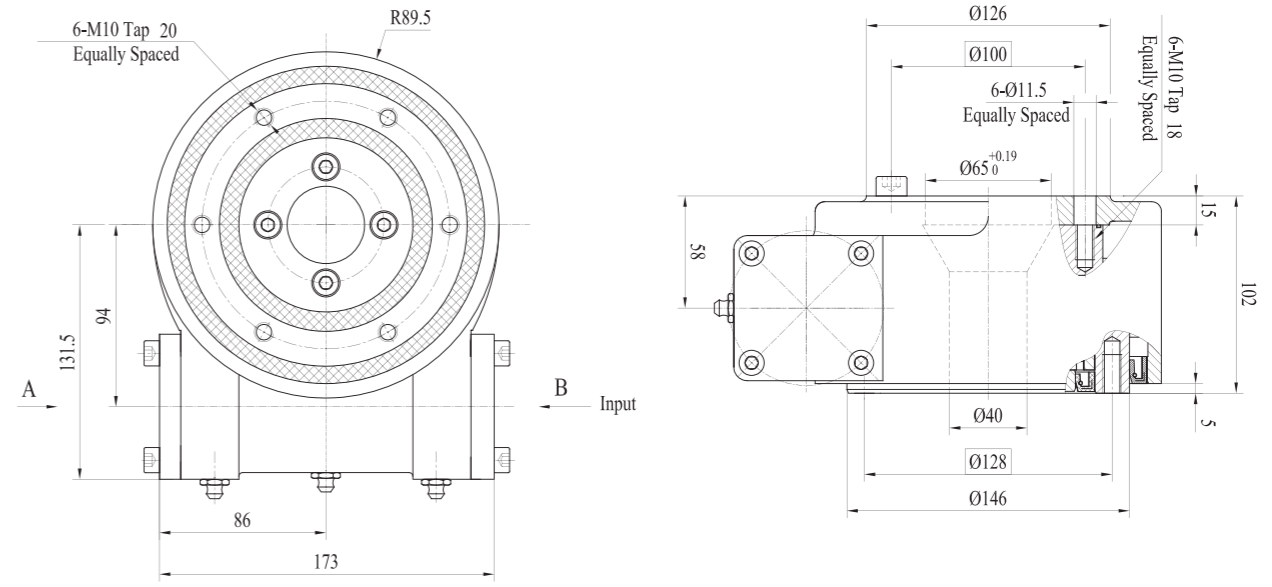
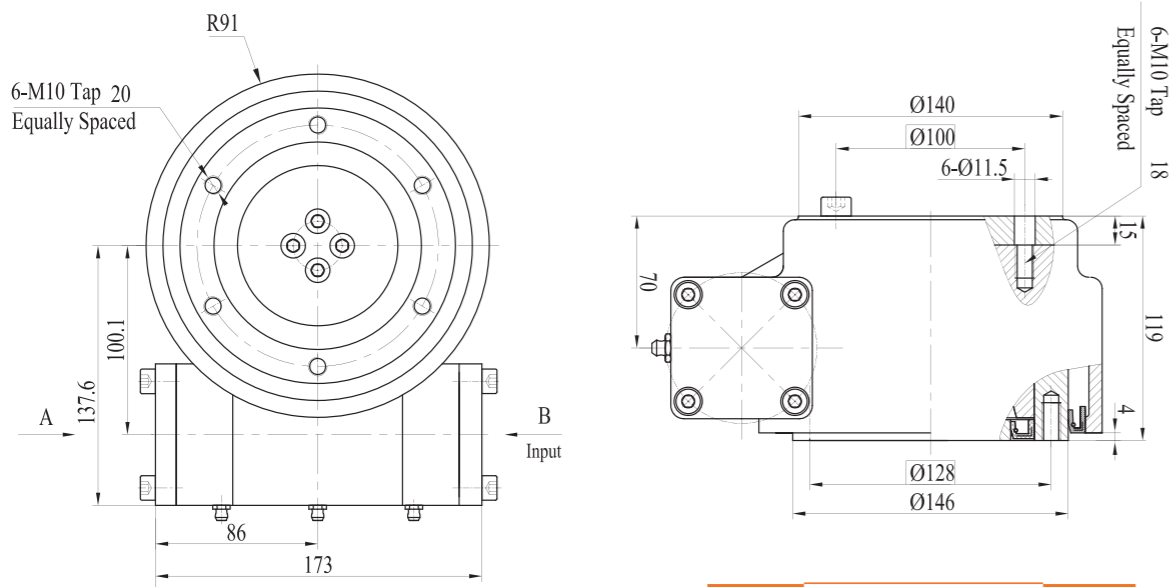
Data Model	Output Torque	Tilting Moment Torque	Holding Torque	Static Axial Rating	Static Radial Rating	Dynamic Axial Rating	Dynamic Radial Rating	Gear Ratio	Tracking Precision	Weight
SD3	400 N.m 295 lbf.ft	1100 N.m 811 lbf.ft	2000 N.m 1475 lbf.ft	30 kN 6744 lbf	16.6 kN 3732 lbf	9.6 kN 2158 lbf	8.4 kN 1888 lbf	62 : 1	≅ 0.2°	12kg





**SD5A | SLEW DRIVE**

**SD5C | SLEW DRIVE**

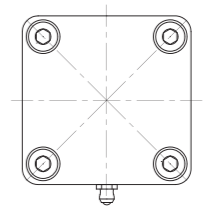
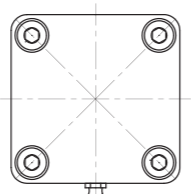


**VIEW A**

**VIEW A**

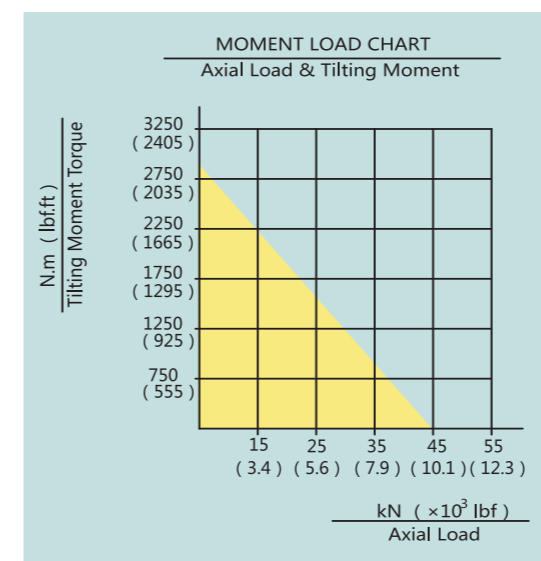
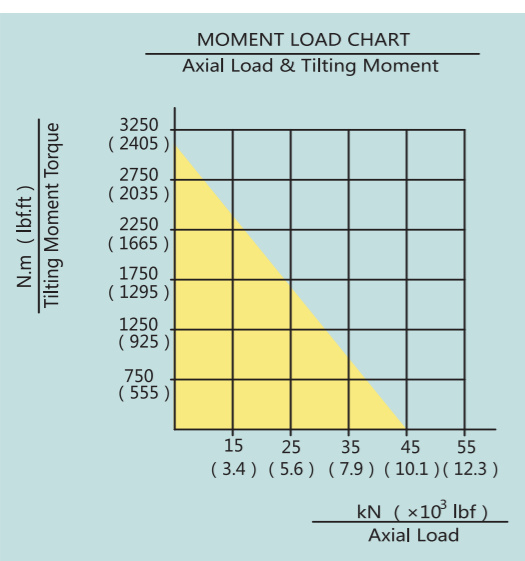
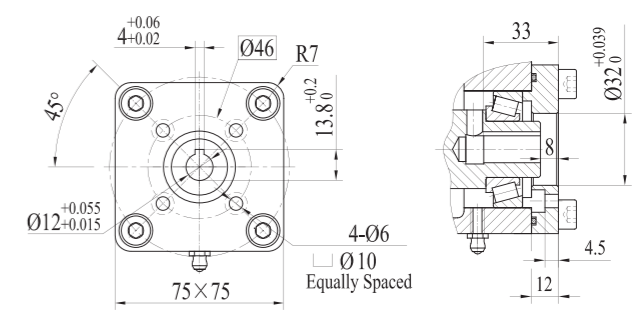
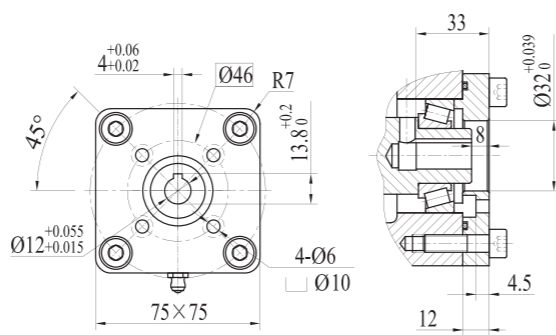
**END CAP**

**END CAP**



**VIEW B**

**VIEW B**



SD5A Slew Drive Performance Parameters

Data Model	Output Torque	Tilting Moment Torque	Holding Torque	Static Axial Rating	Static Radial Rating	Dynamic Axial Rating	Dynamic Radial Rating	Gear Ratio	Tracking Precision	Weight
SD5A	600 N.m 442.5 lbf.ft	3000 N.m 2212.5 lbf.ft	5500 N.m 4056.25 lbf.ft	45 kN 10116 lbf	22 kN 4945.6 lbf	14.4 kN 3237.1 lbf	11.1 kN 2495.3 lbf	62 : 1	≤ 0.2°	20kg

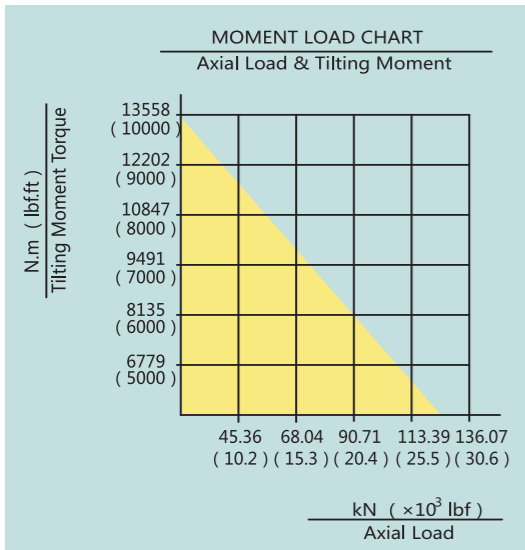
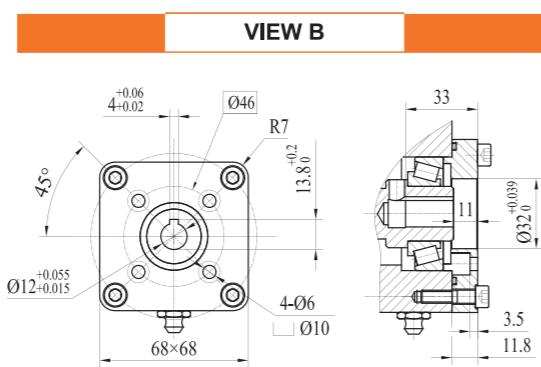
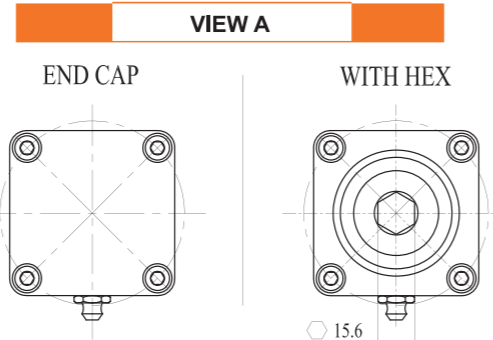
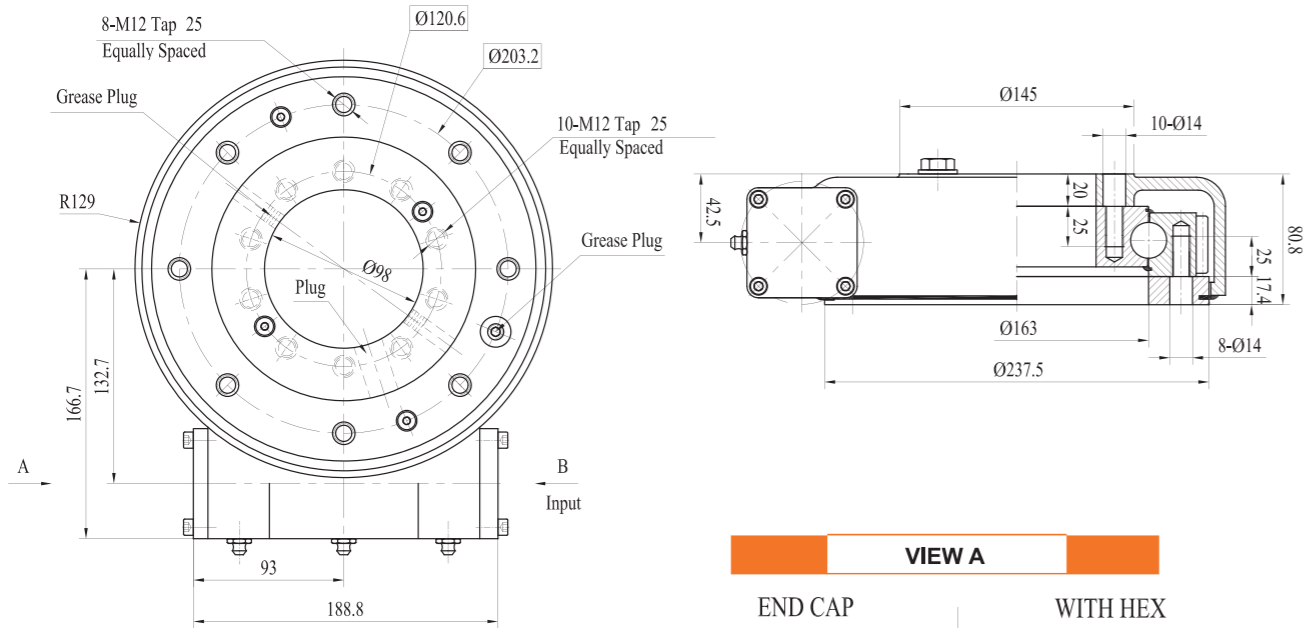
SD5C Slew Drive Performance Parameters

Data Model	Output Torque	Tilting Moment Torque	Holding Torque	Static Axial Rating	Static Radial Rating	Dynamic Axial Rating	Dynamic Radial Rating	Gear Ratio	Tracking Precision	Weight
SD5C	600 N.m 442.5 lbf.ft	2800 N.m 2066.4 lbf.ft	5000 N.m 3690 lbf.ft	45 kN 10116 lbf	22 kN 4945.6 lbf	14.4 kN 3237.1 lbf	11.1 kN 2495.3 lbf	62 : 1	≤ 0.2°	16kg





# SD7 | SLEW DRIVE

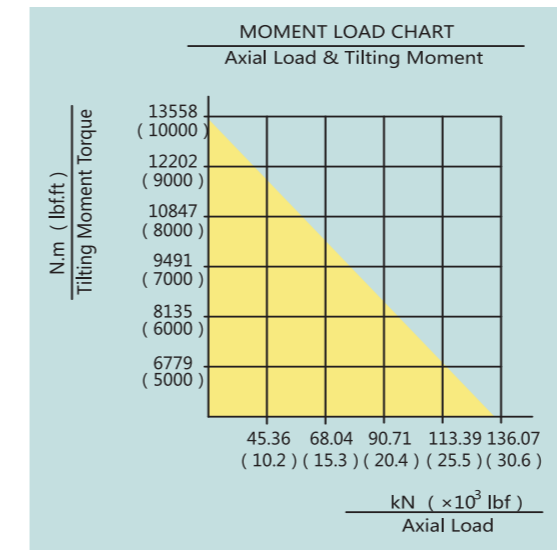
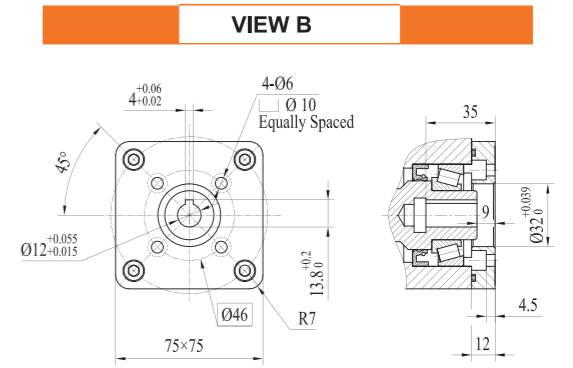
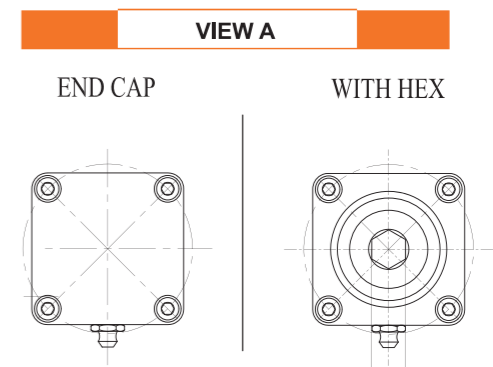
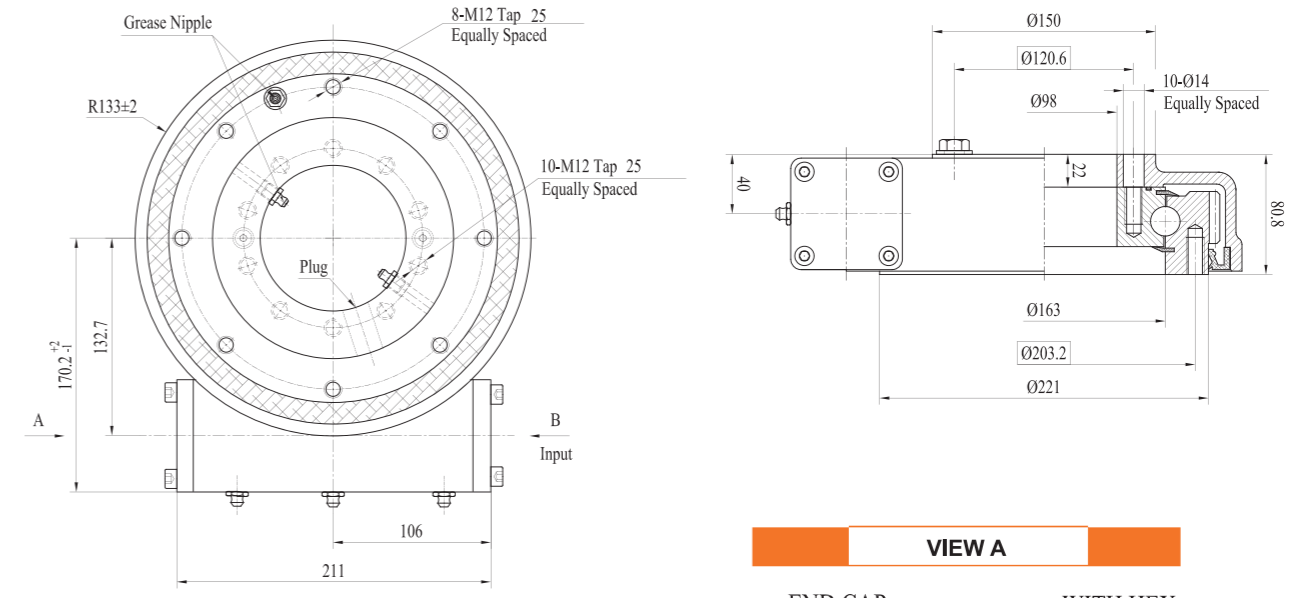


SD7 Slew Drive Performance Parameters

Data Model	Output Torque	Tilting Moment Torque	Holding Torque	Static Axial Rating	Static Radial Rating	Dynamic Axial Rating	Dynamic Radial Rating	Gear Ratio	Tracking Precision	Weight
SD7	1500 N.m 1107 lbf.ft	13500 N.m 9957 lbf.ft	10400 N.m 7671 lbf.ft	133 kN 29900 lbf	53 kN 11915 lbf	32 kN 7194 lbf	28 kN 6295 lbf	73 : 1	≤ 0.2°	21kg

1-888-734-5690 www.socareusa.net  
Quality Creates Value

# SD7A | SLEW DRIVE



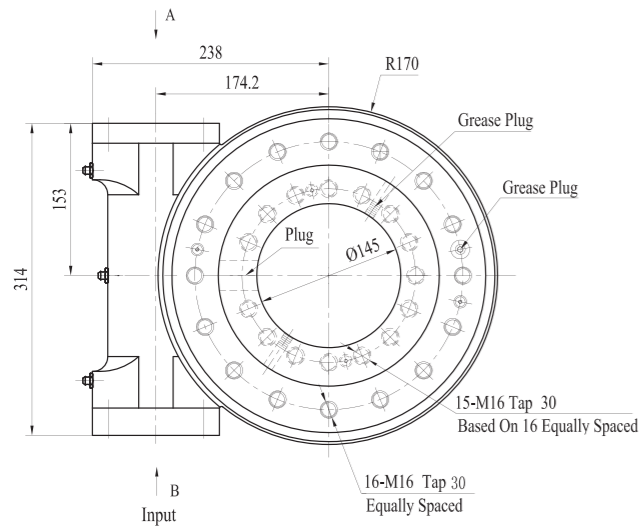
SD7A Slew Drive Performance Parameters

Data Model	Output Torque	Tilting Moment Torque	Holding Torque	Static Axial Rating	Static Radial Rating	Dynamic Axial Rating	Dynamic Radial Rating	Gear Ratio	Tracking Precision	Weight
SD7A	1500 N.m 1107 lbf.ft	13500 N.m 9957 lbf.ft	10400 N.m 7671 lbf.ft	133 kN 29900 lbf	53 kN 11915 lbf	32 kN 7194 lbf	28 kN 6295 lbf	73 : 1	≤ 0.2°	25kg

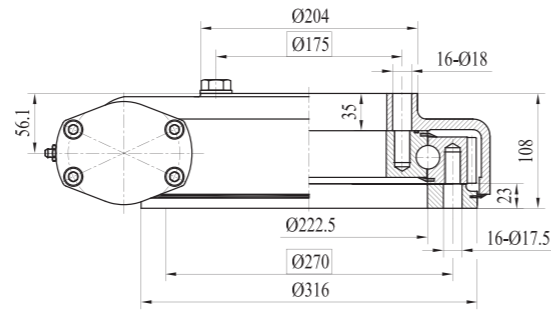
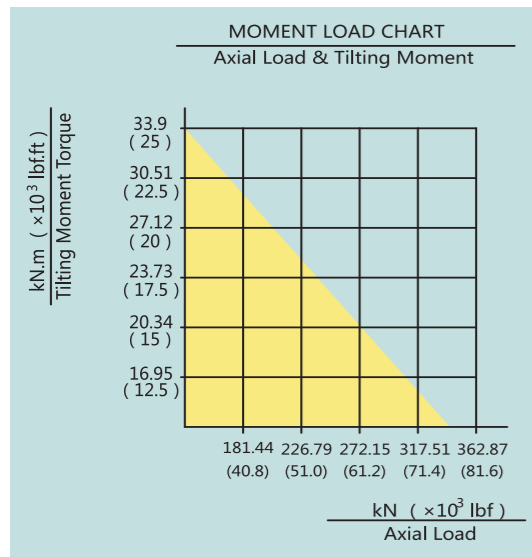
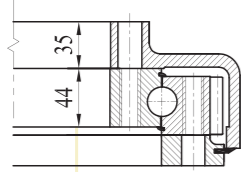
1-888-734-5690 www.socareusa.net  
Quality Creates Value



# SDA9 | SLEW DRIVE



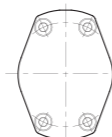
## THRU HOLE OPTION



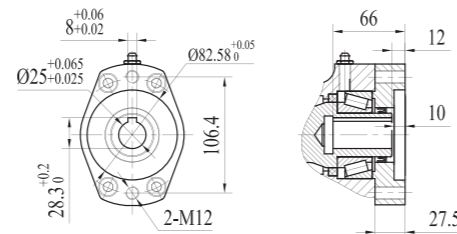
## VIEW A OPTION

END CAP

WITH HEX

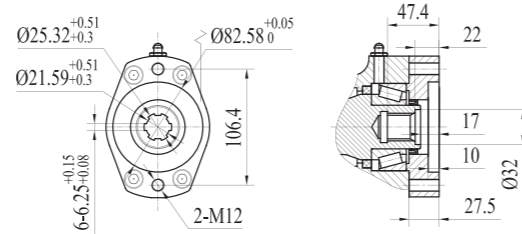


## VIEW B OPTION



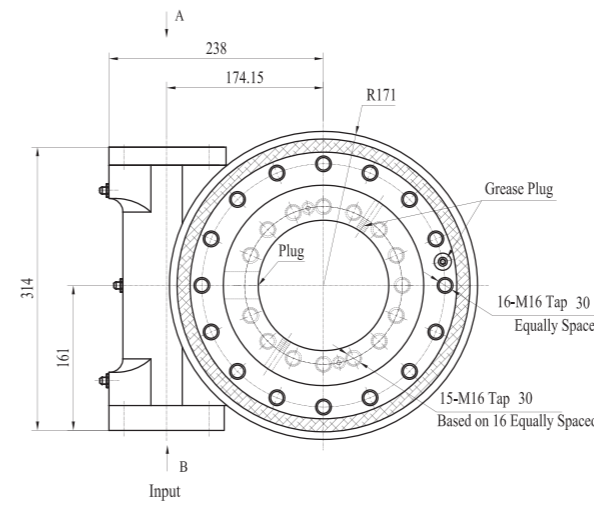
Ø12 Ø14 Ø16 Ø20 Ø25

■ NORMAL

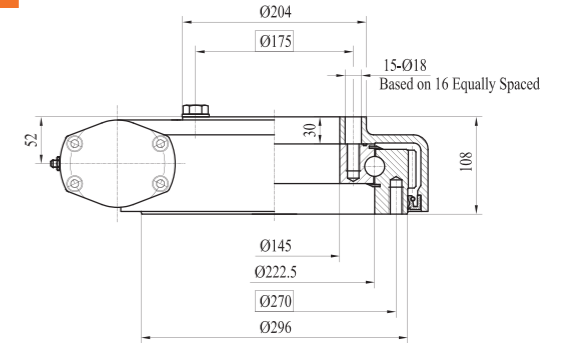
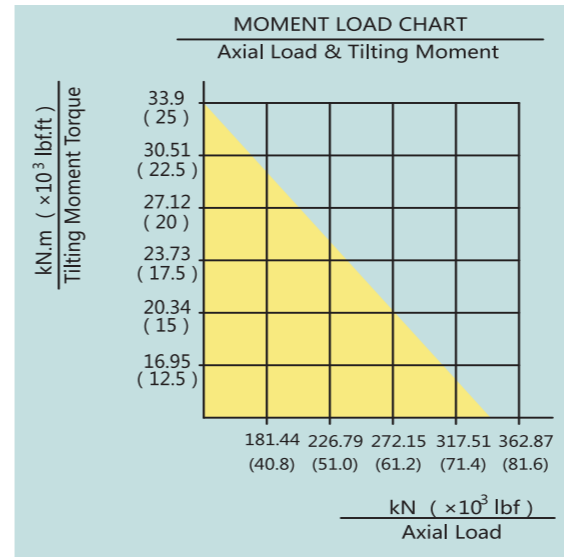
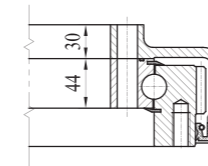


6B SPLINE

# SD9A | SLEW DRIVE



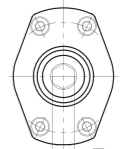
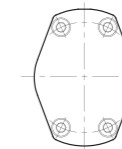
## THRU HOLE OPTION



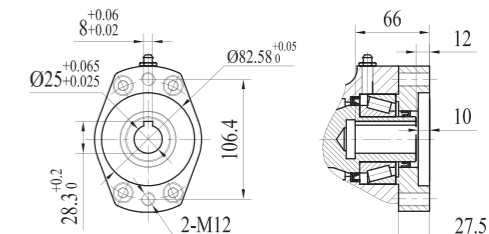
## VIEW A OPTION

END CAP

WITH HEX

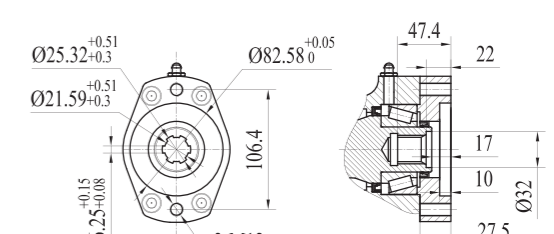


## VIEW B OPTION



Ø12 Ø14 Ø16 Ø20 Ø25

■ NORMAL



6B SPLINE

SDA9 Slew Drive Performance Parameters

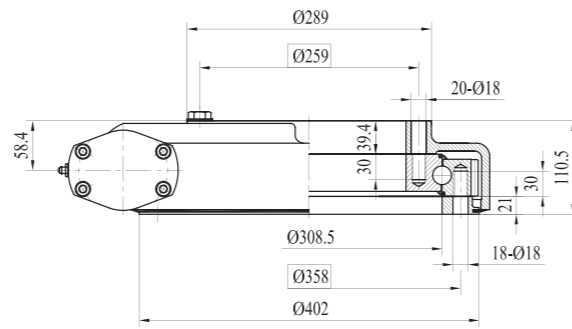
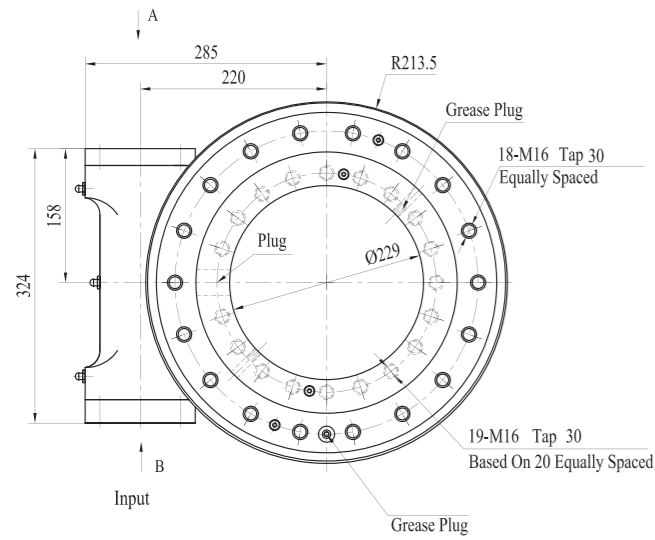
Data Model	Output Torque	Tilting Moment Torque	Holding Torque	Static Axial Rating	Static Radial Rating	Dynamic Axial Rating	Dynamic Radial Rating	Gear Ratio	Tracking Precision	Weight
SDA9	6.5 kN.m 4794 lbf.ft	33.9 kN.m 25 × 10 <sup>3</sup> lbf.ft	38.7 kN.m 29 × 10 <sup>3</sup> lbf.ft	338 kN 76 × 10 <sup>3</sup> lbf	135 kN 30 × 10 <sup>3</sup> lbf	81 kN 18 × 10 <sup>3</sup> lbf	71 kN 16 × 10 <sup>3</sup> lbf	61 : 1	≤ 0.17°	49kg

SD9A Slew Drive Performance Parameters

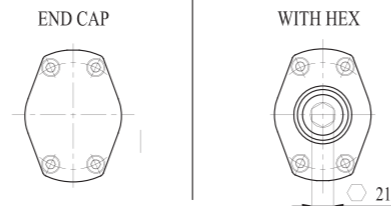
Data Model	Output Torque	Tilting Moment Torque	Holding Torque	Static Axial Rating	Static Radial Rating	Dynamic Axial Rating	Dynamic Radial Rating	Gear Ratio	Tracking Precision	Weight
SD9A	6.5 kN.m 4794 lbf.ft	33.9 kN.m 25 × 10 <sup>3</sup> lbf.ft	38.7 kN.m 29 × 10 <sup>3</sup> lbf.ft	338 kN 76 × 10 <sup>3</sup> lbf	135 kN 30 × 10 <sup>3</sup> lbf	81 kN 18 × 10 <sup>3</sup> lbf	71 kN 16 × 10 <sup>3</sup> lbf	61 : 1	≤ 0.17°	48kg



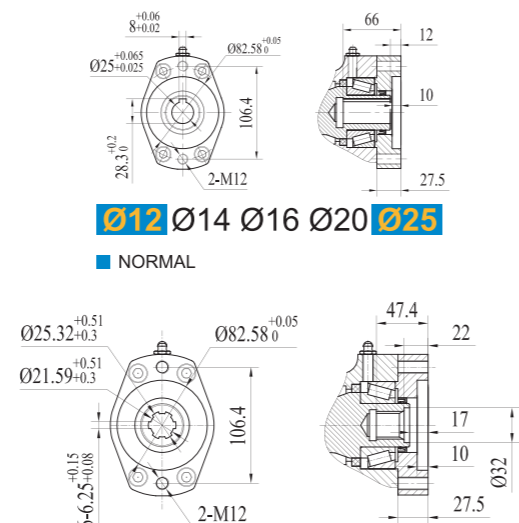
# SD12 | SLEW DRIVE



### VIEW A OPTION

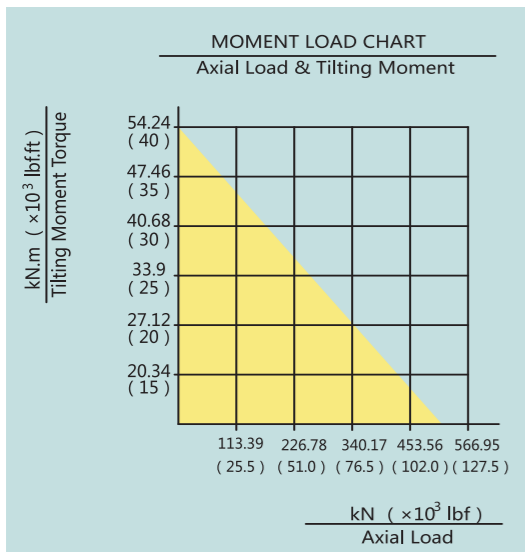
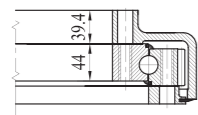


### VIEW B OPTION

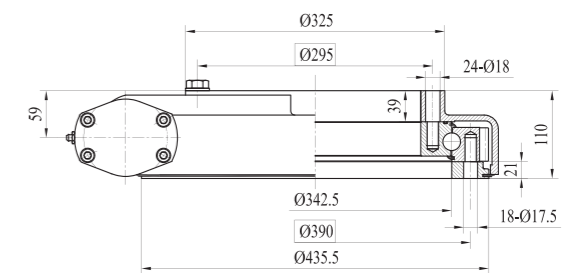
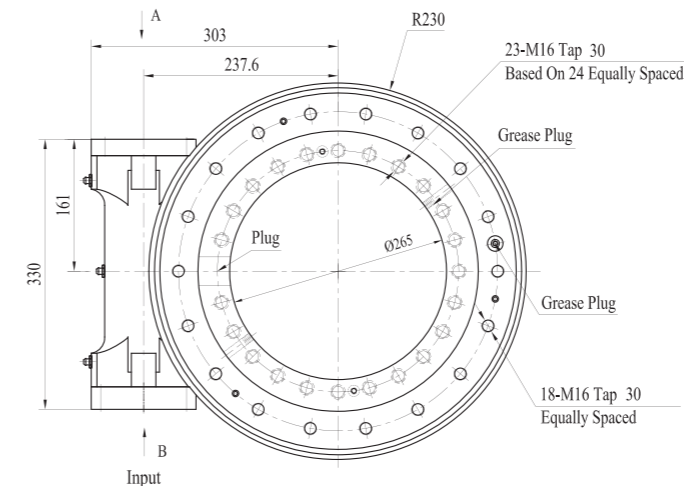


### 6B SPLINE

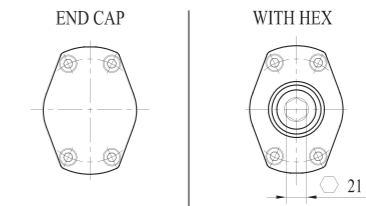
### THRU HOLE OPTION



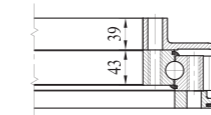
# SD14 | SLEW DRIVE



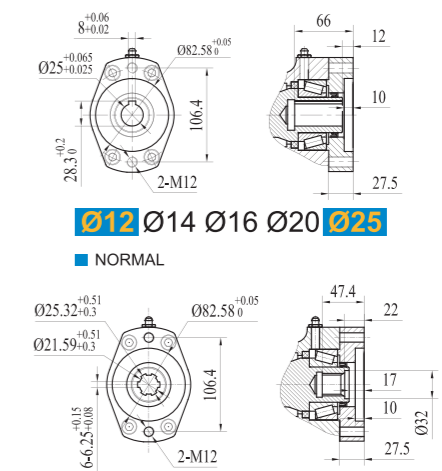
### VIEW A OPTION



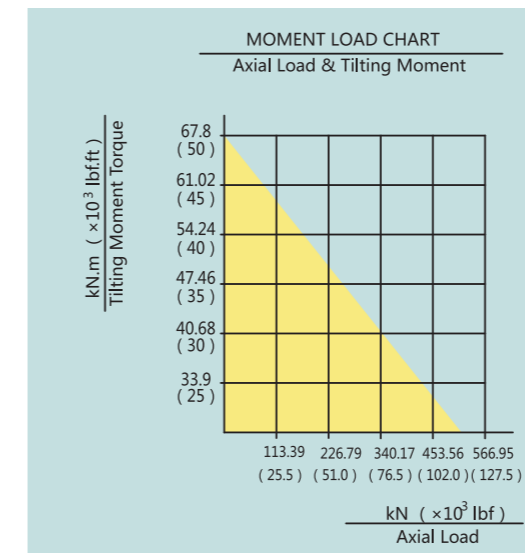
### THRU HOLE OPTION



### VIEW B OPTION



### 6B SPLINE



SD12A Slew Drive Performance Parameters

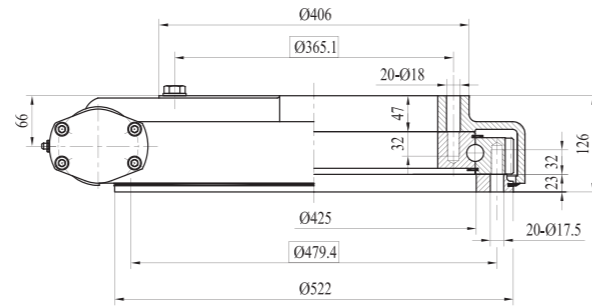
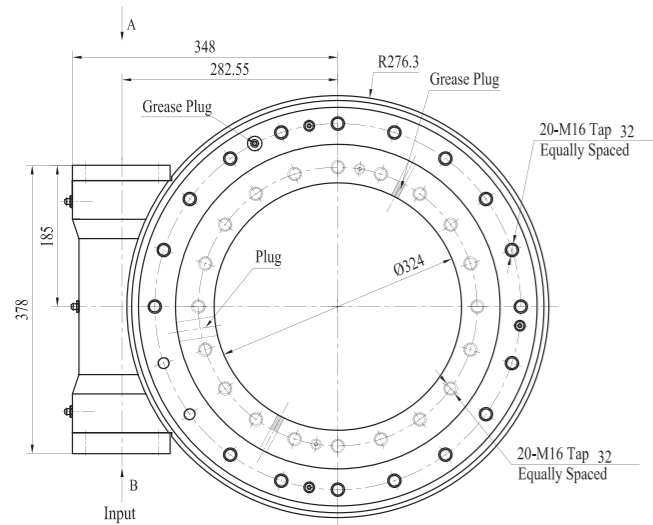
Data Model	Output Torque	Tilting Moment Torque	Holding Torque	Static Axial Rating	Static Radial Rating	Dynamic Axial Rating	Dynamic Radial Rating	Gear Ratio	Tracking Precision	Weight
SD12	7.5 kN.m 5532 lbf.ft	54.3 kN.m 40 × 10 <sup>3</sup> lbf.ft	43 kN.m 32 × 10 <sup>3</sup> lbf.ft	475 kN 107 × 10 <sup>3</sup> lbf	190 kN 43 × 10 <sup>3</sup> lbf	114 kN 26 × 10 <sup>3</sup> lbf	100 kN 23 × 10 <sup>3</sup> lbf	78 : 1	≤ 0.17°	61kg

SD14A Slew Drive Performance Parameters

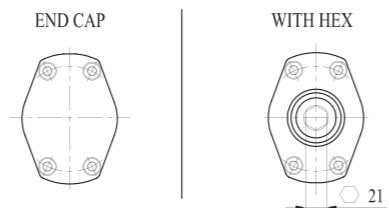
Data Model	Output Torque	Tilting Moment Torque	Holding Torque	Static Axial Rating	Static Radial Rating	Dynamic Axial Rating	Dynamic Radial Rating	Gear Ratio	Tracking Precision	Weight
SD14	8 kN.m 5900 lbf.ft	67.8 kN.m 50 × 10 <sup>3</sup> lbf.ft	48 kN.m 35 × 10 <sup>3</sup> lbf.ft	555 kN 125 × 10 <sup>3</sup> lbf	222 kN 50 × 10 <sup>3</sup> lbf	133 kN 30 × 10 <sup>3</sup> lbf	117 kN 26 × 10 <sup>3</sup> lbf	85 : 1	≤ 0.17°	64kg



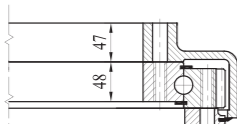
# SD17 | SLEW DRIVE



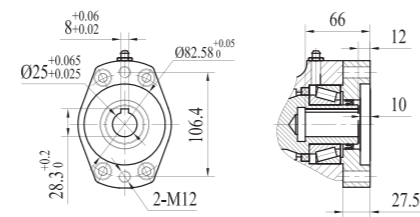
**VIEW A OPTION**



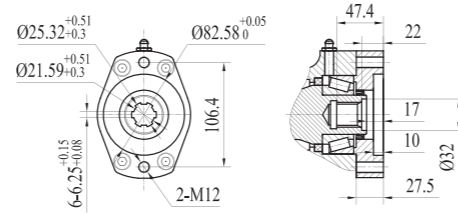
## THRU HOLE OPTION



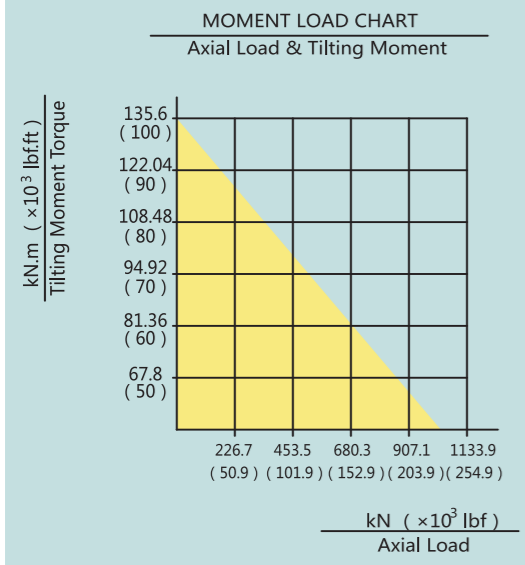
**VIEW B OPTION**



■ NORMAL  
**Ø12 Ø14 Ø16 Ø20 Ø25**



**6B SPLINE**

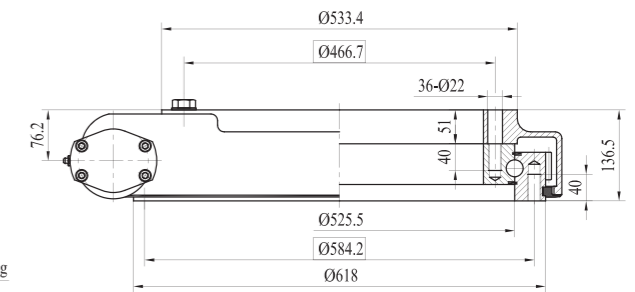
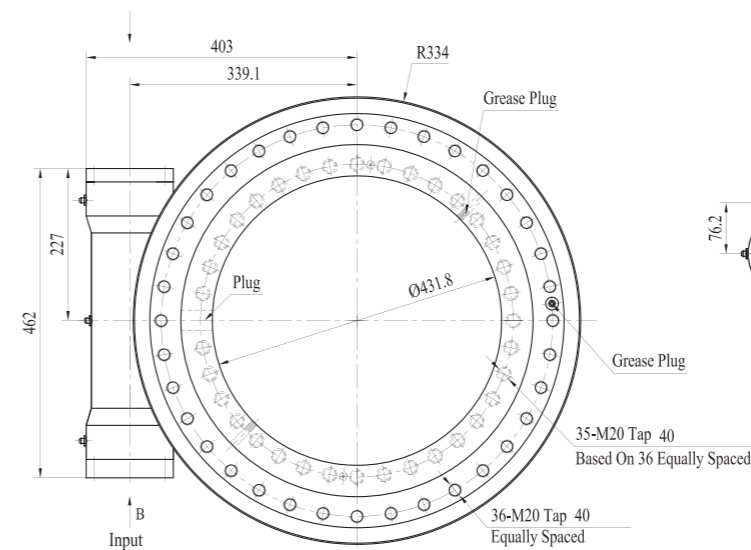


SD17A Slew Drive Performance Parameters

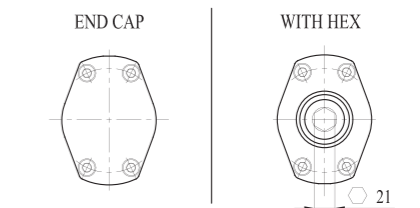
Data Model	Output Torque	Tilting Moment Torque	Holding Torque	Static Axial Rating	Static Radial Rating	Dynamic Axial Rating	Dynamic Radial Rating	Gear Ratio	Tracking Precision	Weight
SD17	10 kN.m 7400 lbf.ft	135.6 kN.m 100 × 10 <sup>3</sup> lbf.ft	72.3 kN.m 53 × 10 <sup>3</sup> lbf.ft	970 kN 218 × 10 <sup>3</sup> lbf	390 kN 88 × 10 <sup>3</sup> lbf	235 kN 53 × 10 <sup>3</sup> lbf	205 kN 46 × 10 <sup>3</sup> lbf	102 : 1	≤ 0.15°	105kg

1-888-734-5690 www.socareusa.net  
 Quality Creates Value

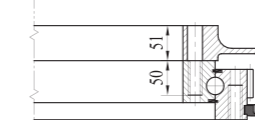
# SD21 | SLEW DRIVE



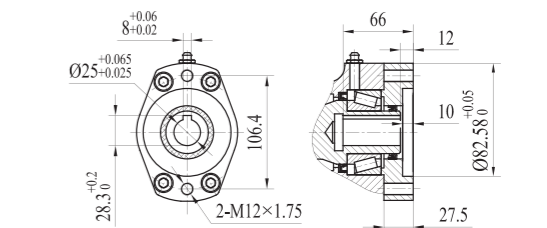
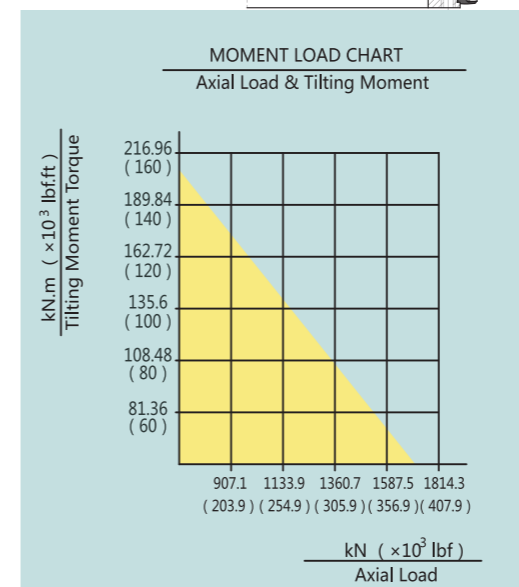
**VIEW A OPTION**



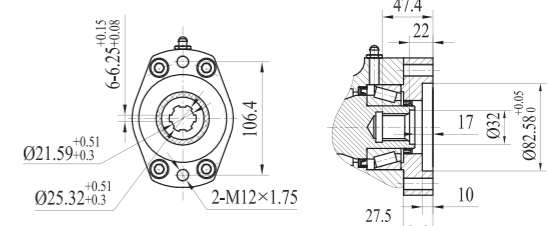
## THRU HOLE OPTION



**VIEW B OPTION**



■ NORMAL  
**Ø12 Ø14 Ø16 Ø20 Ø25**



**6B SPLINE**

SD21 Slew Drive Performance Parameters

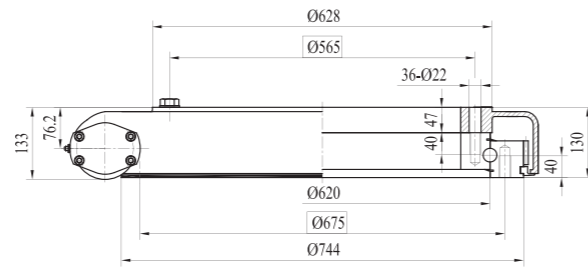
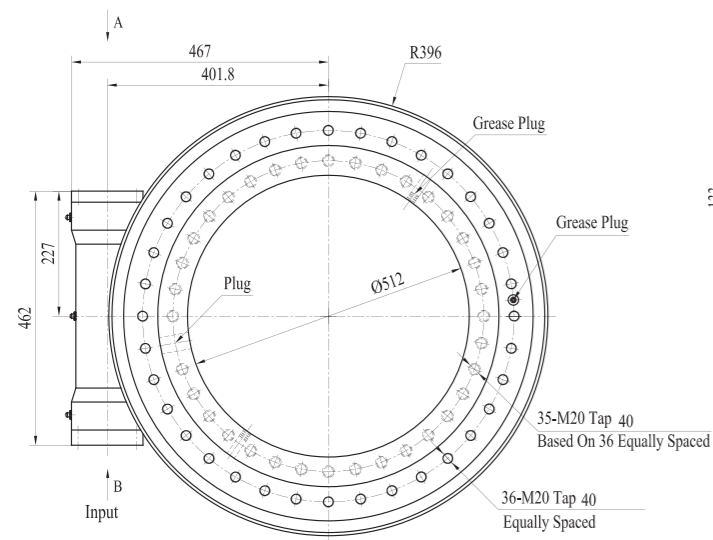
Data Model	Output Torque	Tilting Moment Torque	Holding Torque	Static Axial Rating	Static Radial Rating	Dynamic Axial Rating	Dynamic Radial Rating	Gear Ratio	Tracking Precision	Weight
SD21	15 kN.m 11000 lbf.ft	203 kN.m 150 × 10 <sup>3</sup> lbf.ft	105.8 kN.m 78 × 10 <sup>3</sup> lbf.ft	1598 kN 359 × 10 <sup>3</sup> lbf	640 kN 144 × 10 <sup>3</sup> lbf	385 kN 87 × 10 <sup>3</sup> lbf	335 kN 75 × 10 <sup>3</sup> lbf	125 : 1	≤ 0.15°	149kg

1-888-734-5690 www.socareusa.net  
 Quality Creates Value

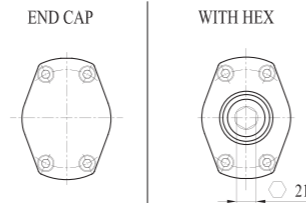




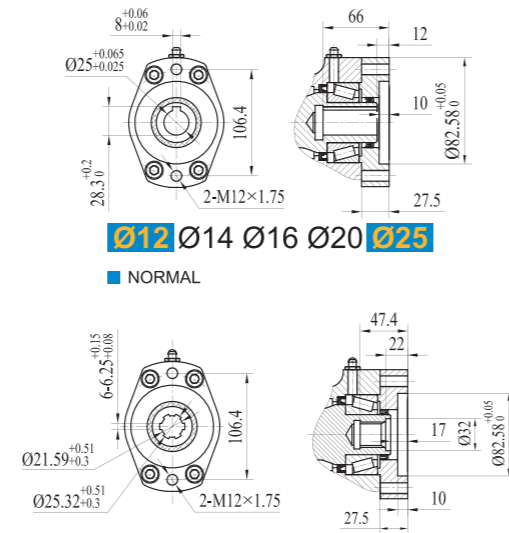
**SD25 | SLEW DRIVE**



**VIEW A OPTION**

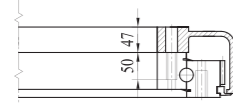


**VIEW B OPTION**

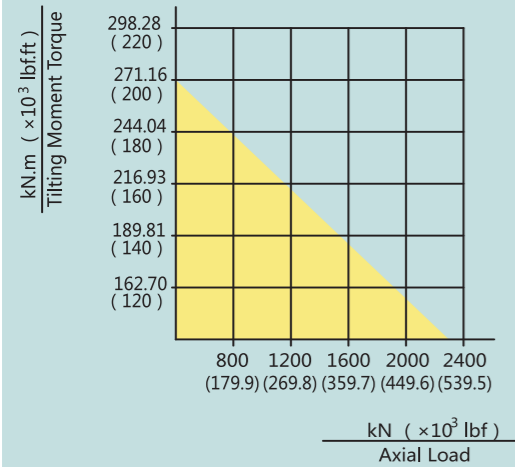


**6B SPLINE**

**THRU HOLE OPTION**



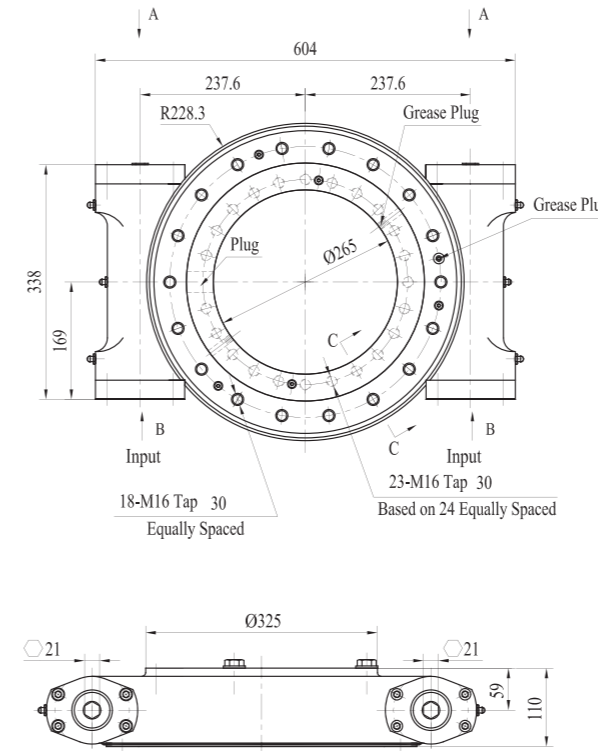
**MOMENT LOAD CHART**  
Axial Load & Tilting Moment



SD25 Slew Drive Performance Parameters

Data Model	Output Torque	Tilting Moment Torque	Holding Torque	Static Axial Rating	Static Radial Rating	Dynamic Axial Rating	Dynamic Radial Rating	Gear Ratio	Tracking Precision	Weight
SD25	18 kN.m 13300 lbf.ft	271 kN.m 200 × 10 <sup>3</sup> lbf.ft	158.3 kN.m 117 × 10 <sup>3</sup> lbf.ft	2360 kN 531 × 10 <sup>3</sup> lbf	945 kN 212 × 10 <sup>3</sup> lbf	590 kN 133 × 10 <sup>3</sup> lbf	470 kN 106 × 10 <sup>3</sup> lbf	150 : 1	≤ 0.15°	204kg

**SD14-2/S14-2 | SLEW DRIVE**



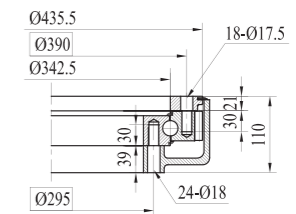
**VIEW A OPTION**

WITH HEX



**SECTION C**

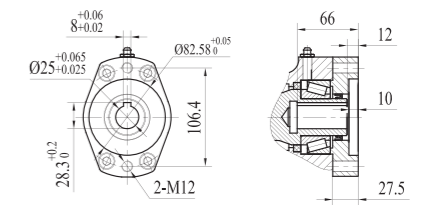
BLIND HOLE



THRU HOLE

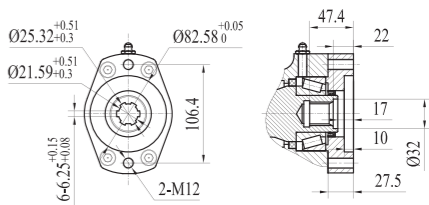


**VIEW B OPTION**

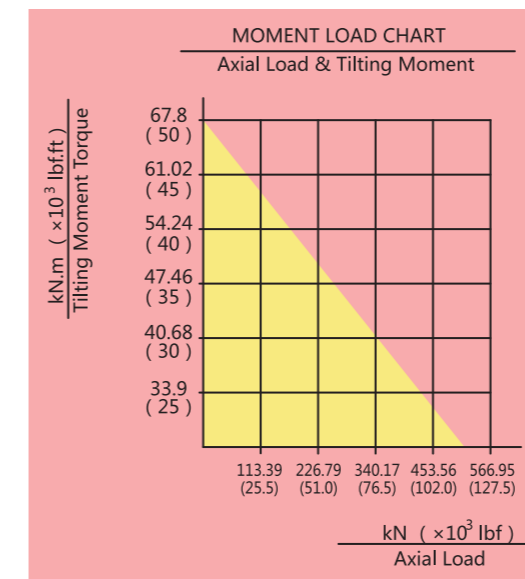


**Ø12 Ø14 Ø16 Ø20 Ø25**

■ NORMAL



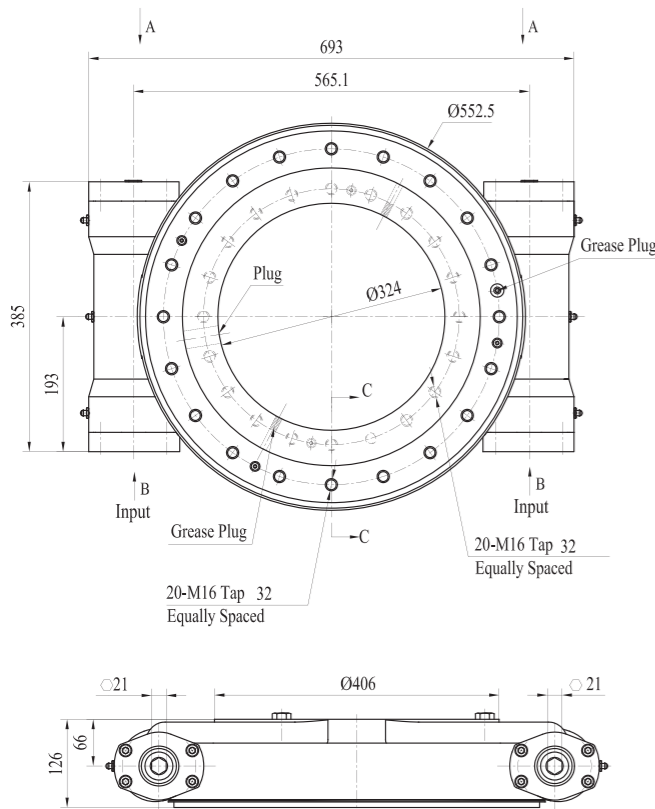
**6B SPLINE**



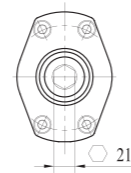
Data Model	Output Torque	Tilting Moment Torque	Holding Torque	Static Axial Rating	Static Radial Rating	Dynamic Axial Rating	Dynamic Radial Rating	Gear Ratio	Tracking Precision	Weight
SD14-2	12 kN.m 8851 lbf.ft	67.8 kN.m 50 × 10 <sup>3</sup> lbf.ft	81.6 kN.m 59.5 × 10 <sup>3</sup> lbf.ft	555 kN 125 × 10 <sup>3</sup> lbf	222 kN 50 × 10 <sup>3</sup> lbf	133 kN 30 × 10 <sup>3</sup> lbf	117 kN 26 × 10 <sup>3</sup> lbf	85 : 1	≤ 0.17°	76kg
S14-2	12 kN.m 8851 lbf.ft	67.8 kN.m 50 × 10 <sup>3</sup> lbf.ft	81.6 kN.m 59.5 × 10 <sup>3</sup> lbf.ft	555 kN 125 × 10 <sup>3</sup> lbf	222 kN 50 × 10 <sup>3</sup> lbf	133 kN 30 × 10 <sup>3</sup> lbf	117 kN 26 × 10 <sup>3</sup> lbf	85 : 1	≤ 0.17°	62kg



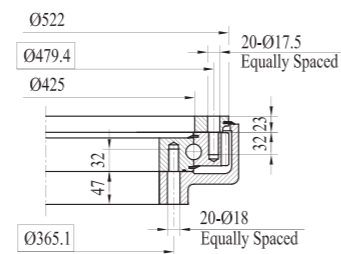
**SD17A-2/S17-2 | SLEW DRIVE**



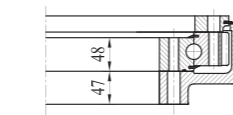
**VIEW A OPTION**  
WITH HEX



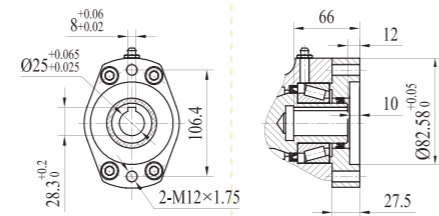
**SECTION C**  
BLIND HOLE



THRU HOLE

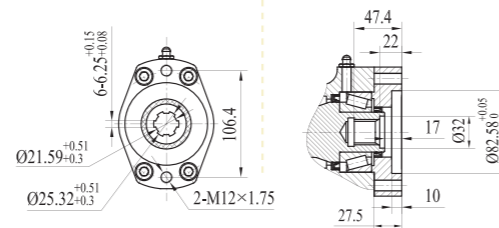


**VIEW B OPTION**

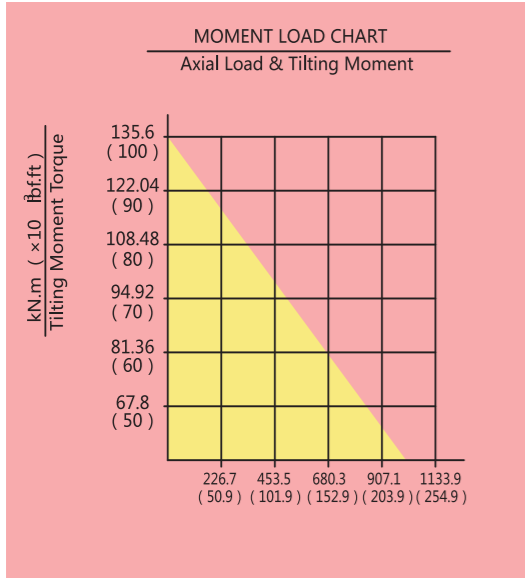


**Ø12 Ø14 Ø16 Ø20 Ø25**

**NORMAL**



**6B SPLINE**

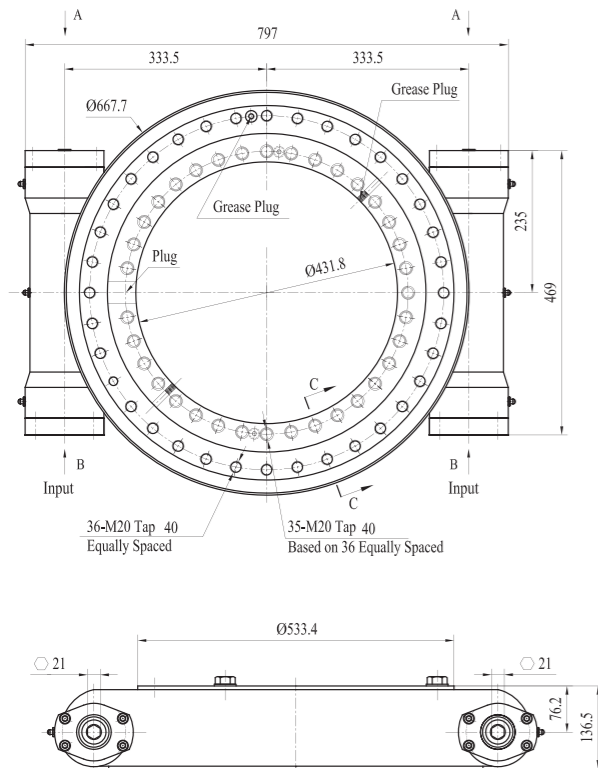


Data Model	Output Torque	Tilting Moment Torque	Holding Torque	Static Axial Rating	Static Radial Rating	Dynamic Axial Rating	Dynamic Radial Rating	Gear Ratio 减速比	Tracking Precision	Weight
SD17A-2	16.8 kN.m	135.6 kN.m	122.9 kN.m	970 kN	390 kN	235 kN	205 kN	102 : 1	≤ 0.15°	119kg
	12391 lbf.ft	100 × 10 <sup>3</sup> lbf.ft	90 × 10 <sup>3</sup> lbf.ft	218 × 10 <sup>3</sup> lbf	88 × 10 <sup>3</sup> lbf	53 × 10 <sup>3</sup> lbf	46 × 10 <sup>3</sup> lbf			
S17-2	16.8 kN.m	135.6 kN.m	122.9 kN.m	970 kN	390 kN	235 kN	205 kN	102 : 1	≤ 0.15°	102kg
	12391 lbf.ft	100 × 10 <sup>3</sup> lbf.ft	90 × 10 <sup>3</sup> lbf.ft	218 × 10 <sup>3</sup> lbf	88 × 10 <sup>3</sup> lbf	53 × 10 <sup>3</sup> lbf	46 × 10 <sup>3</sup> lbf			



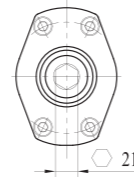


# SD21-2/S21-2 | SLEW DRIVE



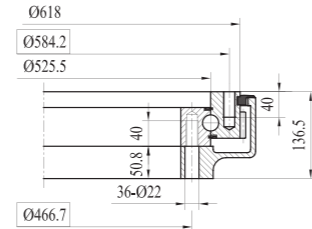
## VIEW A OPTION

WITH HEX

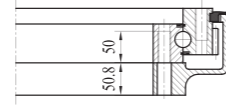


## SECTION C

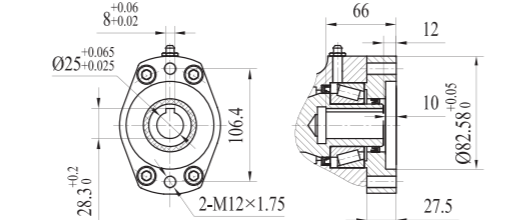
BLIND HOLE



THRU HOLE

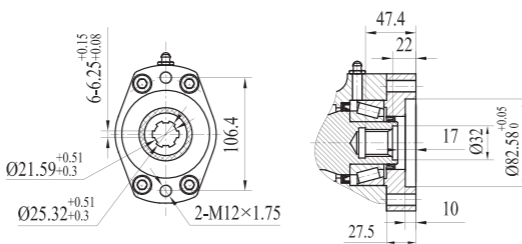


## VIEW B OPTION

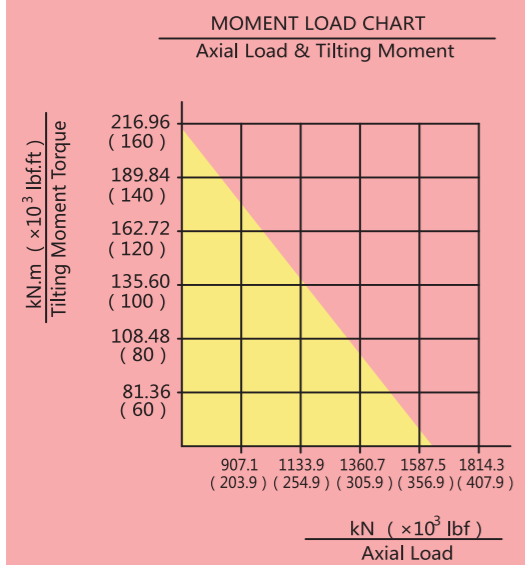


Ø12 Ø14 Ø16 Ø20 Ø25

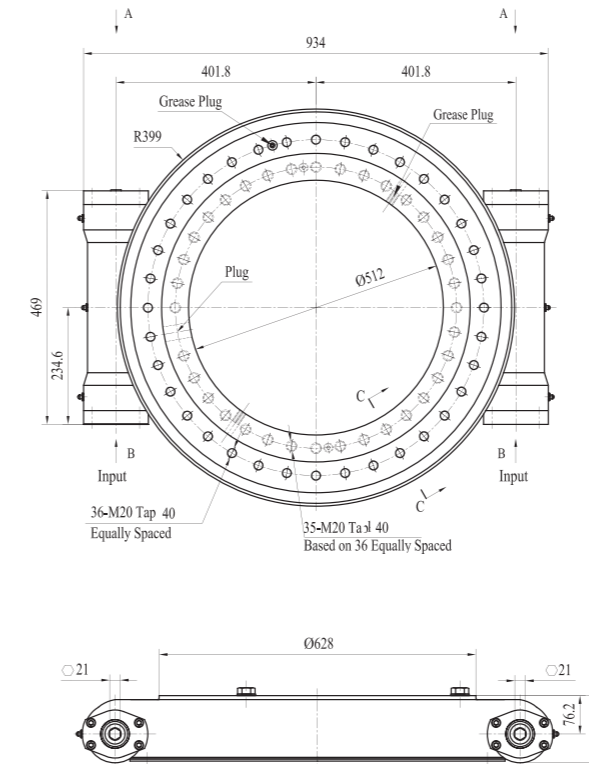
NORMAL



6B SPLINE

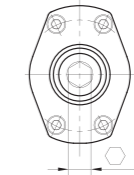


# SD25-2/S25-2 | SLEW DRIVE



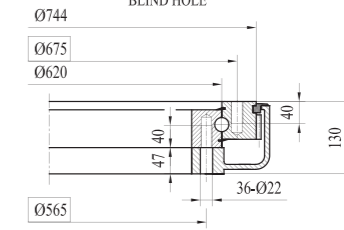
## VIEW A OPTION

WITH HEX

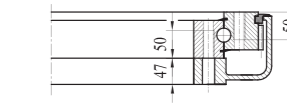


## SECTION C

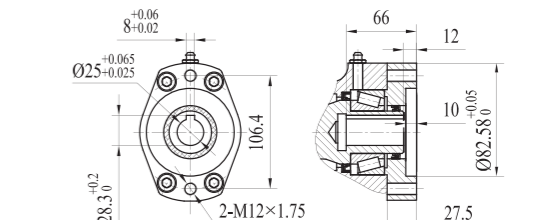
BLIND HOLE



THRU HOLE

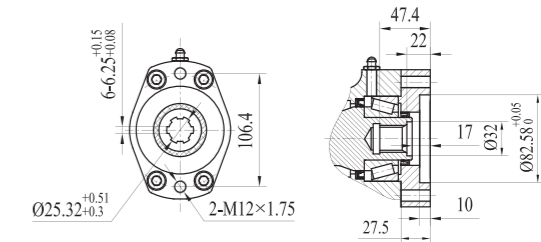


## VIEW B OPTION

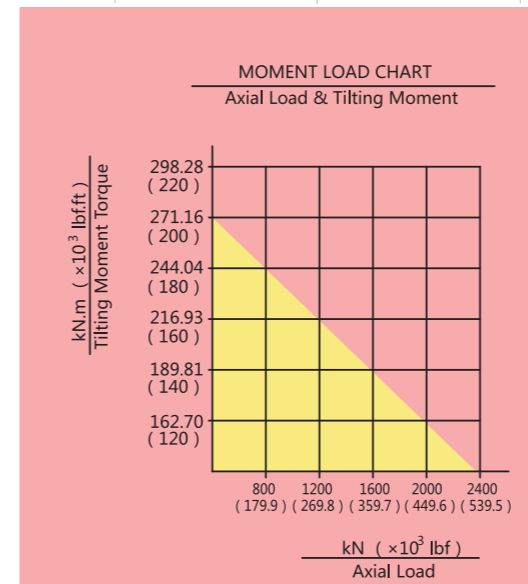


Ø12 Ø14 Ø16 Ø20 Ø25

NORMAL



6B SPLINE

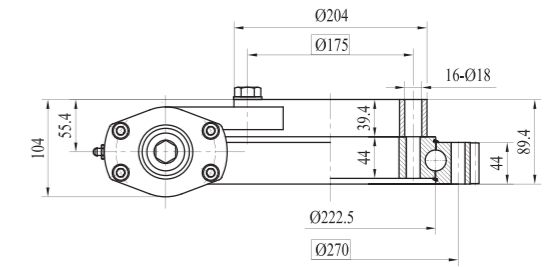
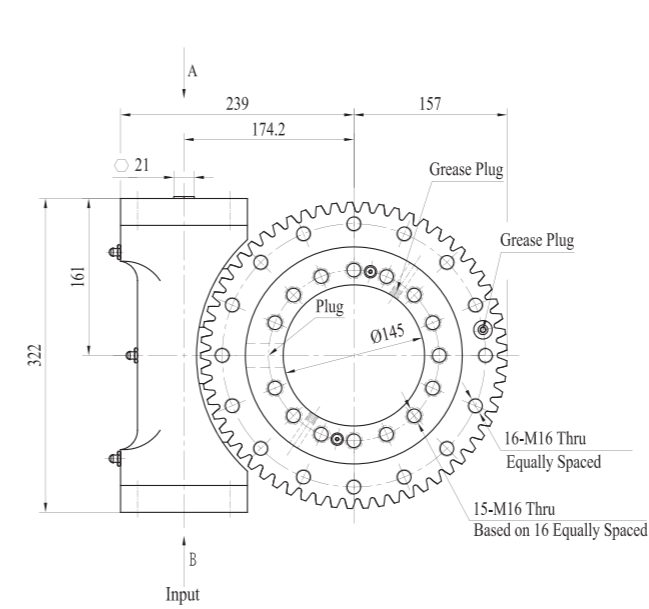


Data Model	Output Torque	Tilting Moment Torque	Holding Torque	Static Axial Rating	Static Radial Rating	Dynamic Axial Rating	Dynamic Radial Rating	Gear Ratio	Tracking Precision	Weight
SD21-2	20.6 kN.m	203 kN.m	179.9 kN.m	1598 kN	640 kN	385 kN	335 kN	125 : 1	≤ 0.15°	161kg
	15194 lbf.ft	150 × 10 <sup>3</sup> lbf.ft	132.6 × 10 <sup>3</sup> lbf.ft	359 × 10 <sup>3</sup> lbf	144 × 10 <sup>3</sup> lbf	87 × 10 <sup>3</sup> lbf	75 × 10 <sup>3</sup> lbf			
S21-2	20.6 kN.m	203 kN.m	179.9 kN.m	1598 kN	640 kN	385 kN	335 kN	125 : 1	≤ 0.15°	143kg
	15194 lbf.ft	150 × 10 <sup>3</sup> lbf.ft	132.6 × 10 <sup>3</sup> lbf.ft	359 × 10 <sup>3</sup> lbf	144 × 10 <sup>3</sup> lbf	87 × 10 <sup>3</sup> lbf	75 × 10 <sup>3</sup> lbf			

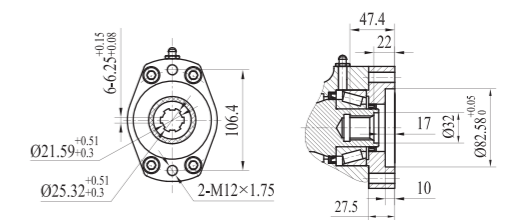
Data Model	Output Torque	Tilting Moment Torque	Holding Torque	Static Axial Rating	Static Radial Rating	Dynamic Axial Rating	Dynamic Radial Rating	Gear Ratio	Tracking Precision	Weight
SD25-2	28 kN.m	271 kN.m	269.1 kN.m	2360 kN	945 kN	590 kN	470 kN	150 : 1	≤ 0.15°	222kg
	20652 lbf.ft	200 × 10 <sup>3</sup> lbf.ft	198.9 × 10 <sup>3</sup> lbf.ft	531 × 10 <sup>3</sup> lbf	212 × 10 <sup>3</sup> lbf	133 × 10 <sup>3</sup> lbf	106 × 10 <sup>3</sup> lbf			
S25-2	28 kN.m	271 kN.m	269.1 kN.m	2360 kN	945 kN	590 kN	470 kN	150 : 1	≤ 0.15°	202kg
	20652 lbf.ft	200 × 10 <sup>3</sup> lbf.ft	198.9 × 10 <sup>3</sup> lbf.ft	531 × 10 <sup>3</sup> lbf	212 × 10 <sup>3</sup> lbf	133 × 10 <sup>3</sup> lbf	106 × 10 <sup>3</sup> lbf			



## S9 | SLEW DRIVE



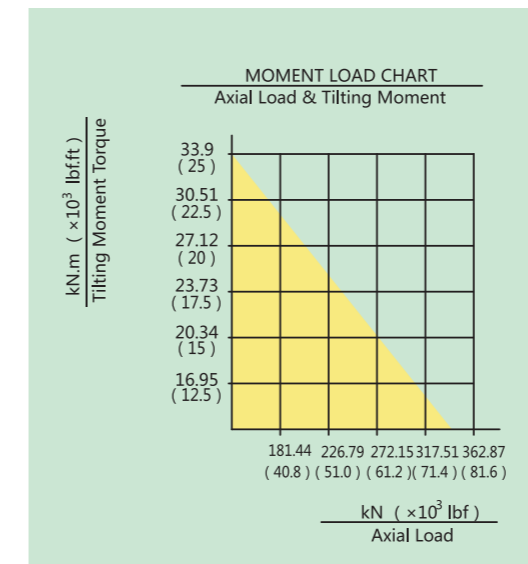
### VIEW B



**6B Ø12 Ø14 Ø16 Ø20 Ø25**  
 ■ NORMAL

S9 Slew Drive Performance Parameters

Data Model	Output Torque	Tilting Moment Torque	Holding Torque	Static Axial Rating	Static Radial Rating	Dynamic Axial Rating	Dynamic Radial Rating	Gear Ratio	Tracking Precision	Weight
S9	6.5 kN.m	33.9 kN.m	38.7 kN.m	338 kN	135 kN	81 kN	71 kN	61 : 1	≤ 0.17°	37kg
	4794 lbf.ft	25 × 10 <sup>3</sup> lbf.ft	29 × 10 <sup>3</sup> lbf.ft	76 × 10 <sup>3</sup> lbf	30 × 10 <sup>3</sup> lbf	18 × 10 <sup>3</sup> lbf	16 × 10 <sup>3</sup> lbf			



**NOTICE**

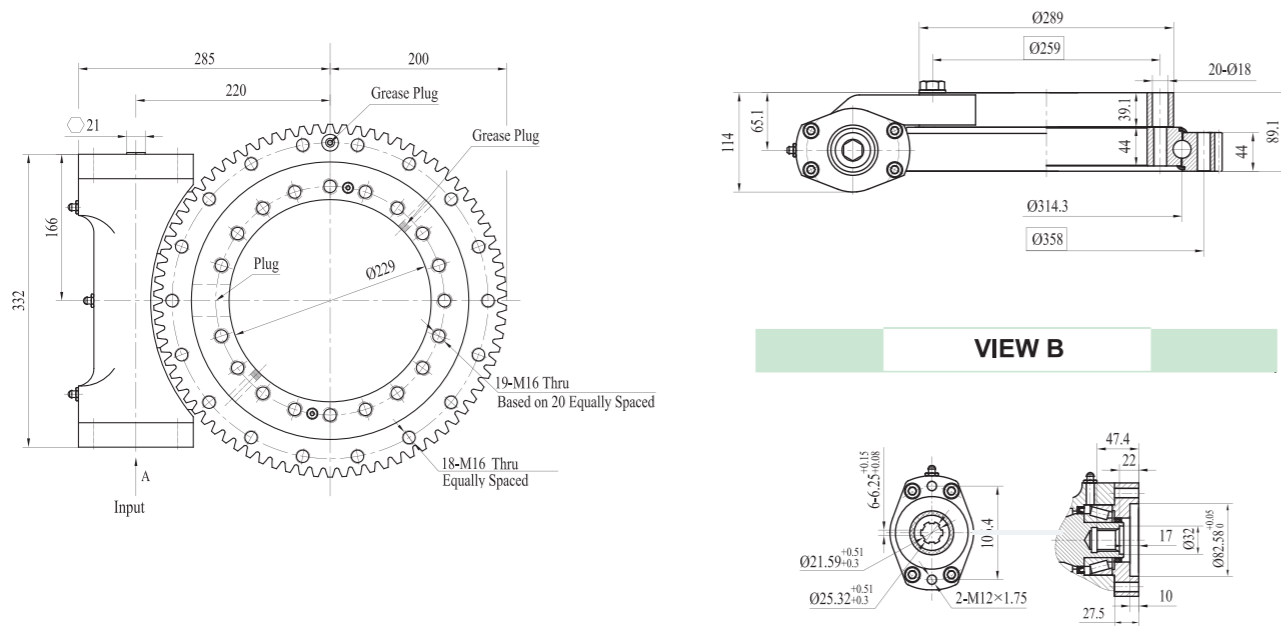
▲ PLEASE BE SURE TO REMAIN UNDER THIS CURVE

▲ This drawing is just for your reference

▲ The drawing is subject to change due to new design without prior notice



# S12 | SLEW DRIVE

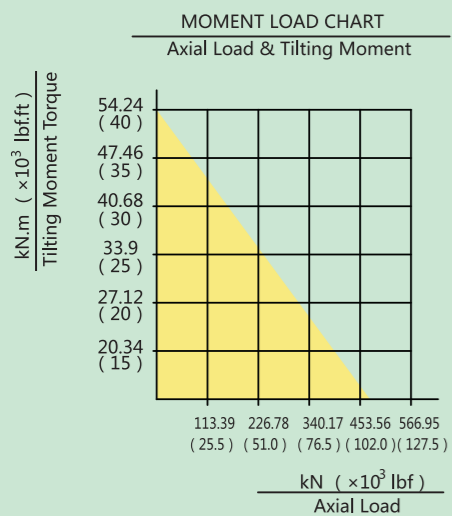


**6B Ø12 Ø14 Ø16 Ø20 Ø25**

■ NORMAL

S12 Slew Drive Performance Parameters

Data Model	Output Torque	Tilting Moment Torque	Holding Torque	Static Axial Rating	Static Radial Rating	Dynamic Axial Rating	Dynamic Radial Rating	Gear Ratio	Tracking Precision	Weight
S12	7.5 kN.m 5532 lbf.ft	54.3 kN.m 40 × 10 <sup>3</sup> lbf.ft	43 kN.m 32 × 10 <sup>3</sup> lbf.ft	475 kN 107 × 10 <sup>3</sup> lbf	190 kN 43 × 10 <sup>3</sup> lbf	114 kN 26 × 10 <sup>3</sup> lbf	100 kN 23 × 10 <sup>3</sup> lbf	78 : 1	≤ 0.17°	41kg



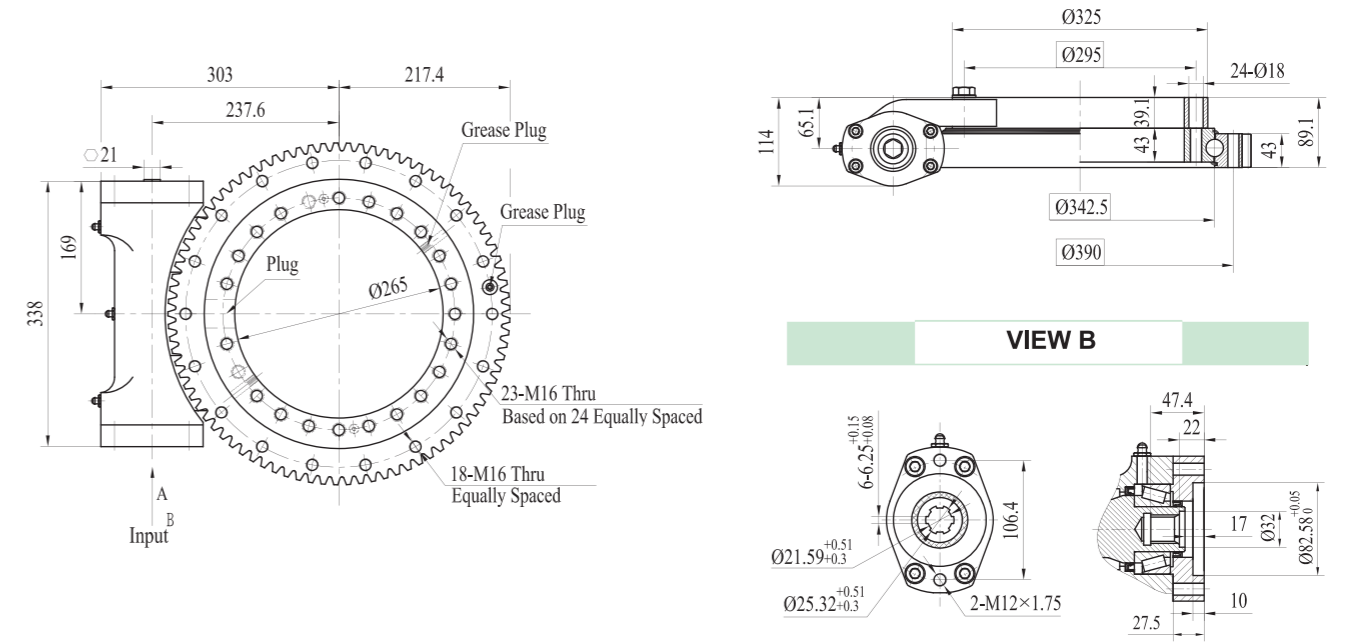
**NOTICE**

▲ PLEASE BE SURE TO REMAIN UNDER THIS CURVE

▲ This drawing is just for your reference

▲ The drawing is subject to change due to new design without prior notice

# S14 | SLEW DRIVE

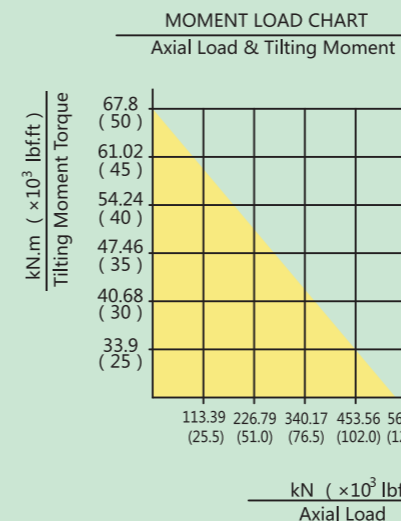


**6B Ø12 Ø14 Ø16 Ø20 Ø25**

■ NORMAL

S14 Slew Drive Performance Parameters

Data Model	Output Torque	Tilting Moment Torque	Holding Torque	Static Axial Rating	Static Radial Rating	Dynamic Axial Rating	Dynamic Radial Rating	Gear Ratio	Tracking Precision	Weight
S14	8 kN.m 5900 lbf.ft	67.8 kN.m 50 × 10 <sup>3</sup> lbf.ft	48 kN.m 35 × 10 <sup>3</sup> lbf.ft	555 kN 125 × 10 <sup>3</sup> lbf	222 kN 50 × 10 <sup>3</sup> lbf	133 kN 30 × 10 <sup>3</sup> lbf	117 kN 26 × 10 <sup>3</sup> lbf	85 : 1	≤ 0.17°	47kg



**NOTICE**

▲ PLEASE BE SURE TO REMAIN UNDER THIS CURVE

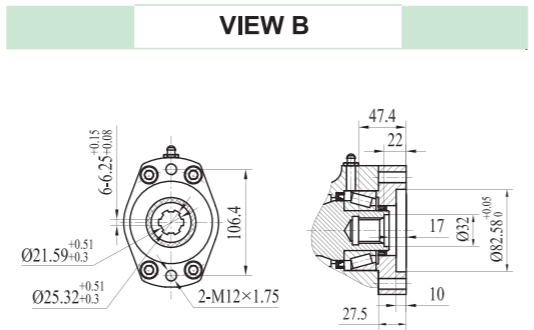
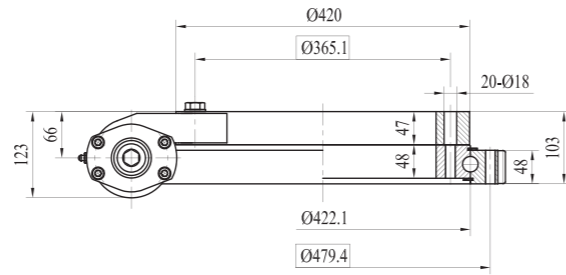
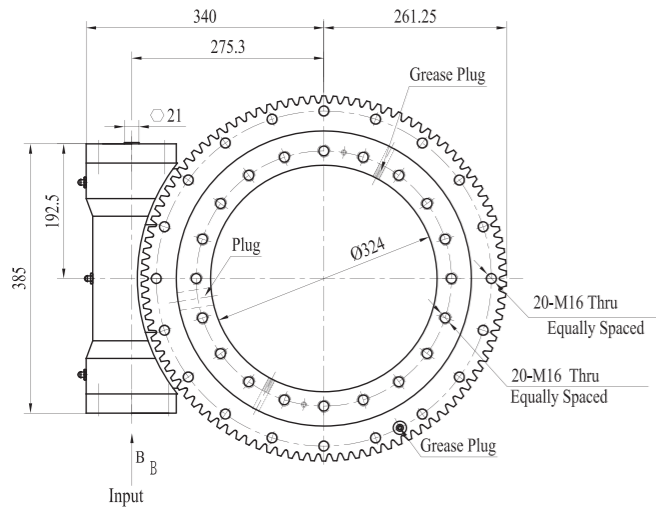
▲ This drawing is just for your reference

▲ The drawing is subject to change due to new design without prior notice





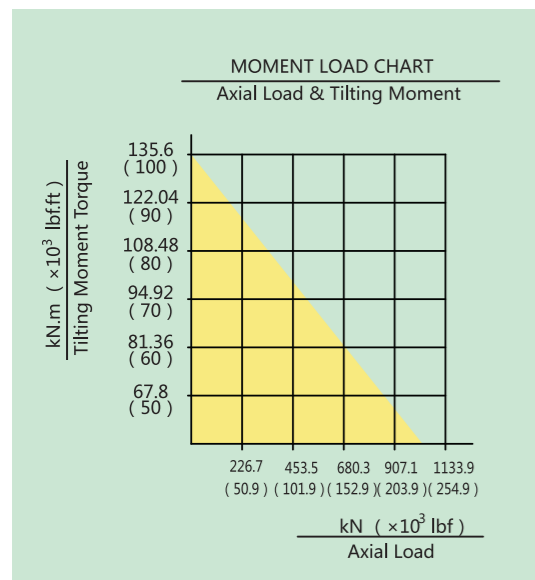
# S17 | SLEW DRIVE



**6B** Ø12 Ø14 Ø16 Ø20 **Ø25**  
 ■ NORMAL

S17 Slew Drive Performance Parameters

Model	Data	Output Torque	Tilting Moment Torque	Holding Torque	Static Axial Rating	Static Radial Rating	Dynamic Axial Rating	Dynamic Radial Rating	Gear Ratio	Tracking Precision	Weight
S17	Output Torque	10 kN.m	135.6 kN.m	72.3 kN.m	970 kN	390 kN	235 kN	205 kN	102 : 1	≤ 0.15°	87kg
		7400 lbf.ft	100 × 10 <sup>3</sup> lbf.ft	53 × 10 <sup>3</sup> lbf.ft	218 × 10 <sup>3</sup> lbf	88 × 10 <sup>3</sup> lbf	53 × 10 <sup>3</sup> lbf	46 × 10 <sup>3</sup> lbf			



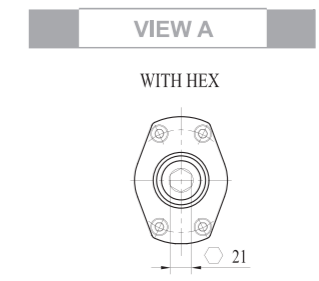
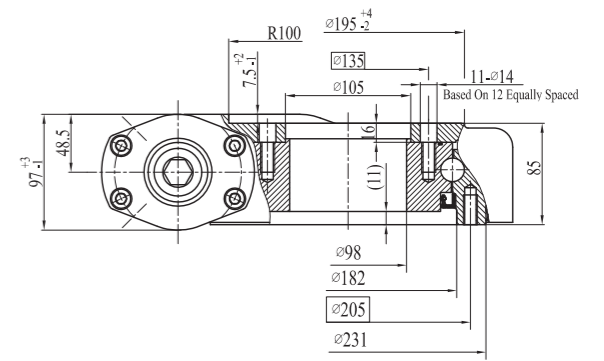
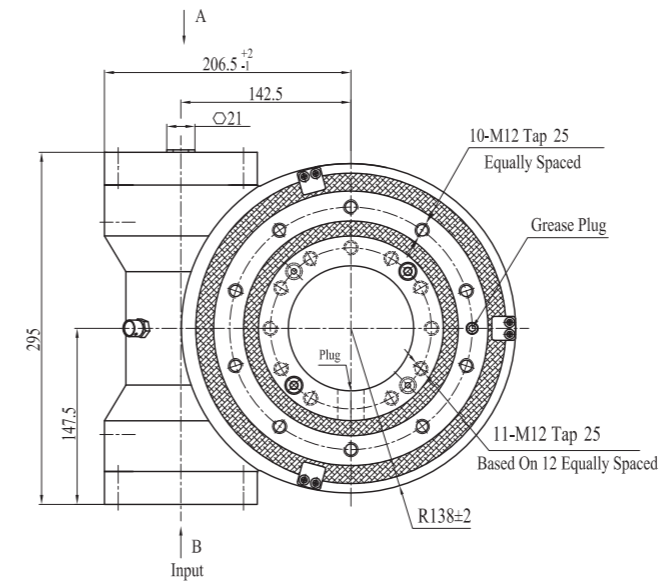
**NOTICE**

▲ PLEASE BE SURE TO REMAIN UNDER THIS CURVE

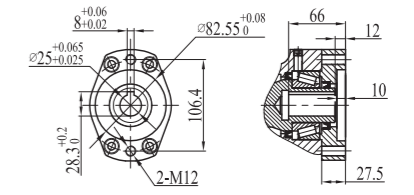
▲ This drawing is just for your reference

▲ The drawing is subject to change due to new design without prior notice

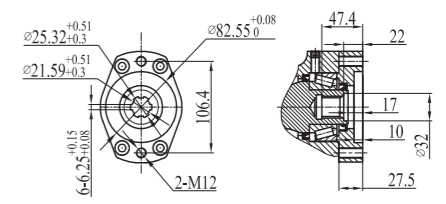
# HSD7 | Bronze Worm Gear Drive



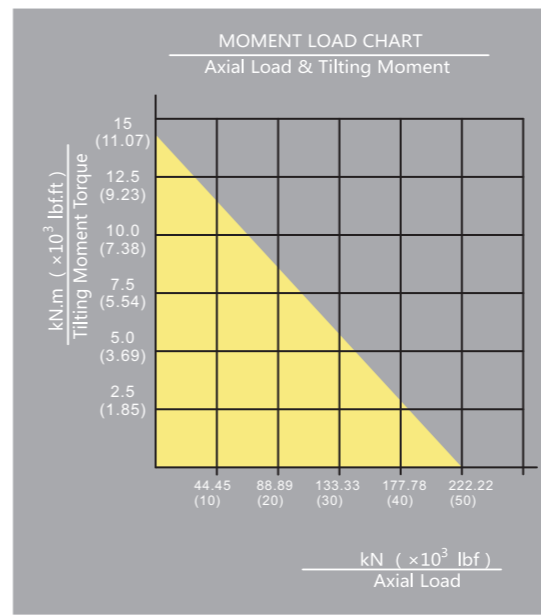
**VIEW B OPTION**



**Ø12 Ø14 Ø16 Ø20 Ø25**  
 ■ NORMAL



**6B SPLINE**

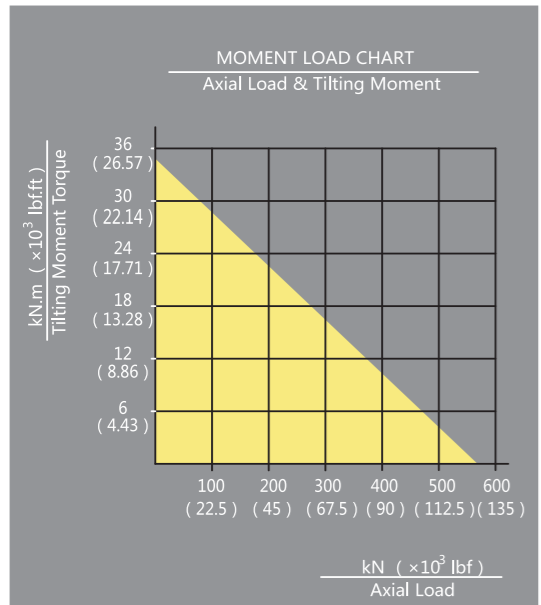
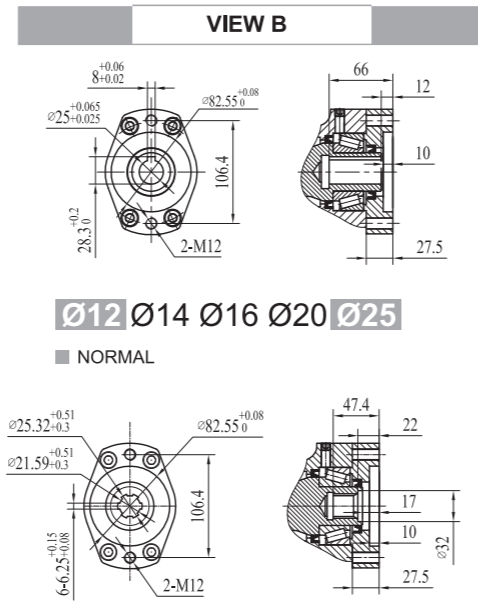
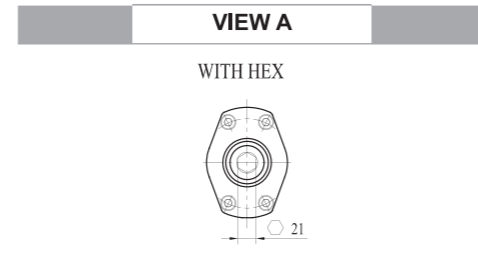
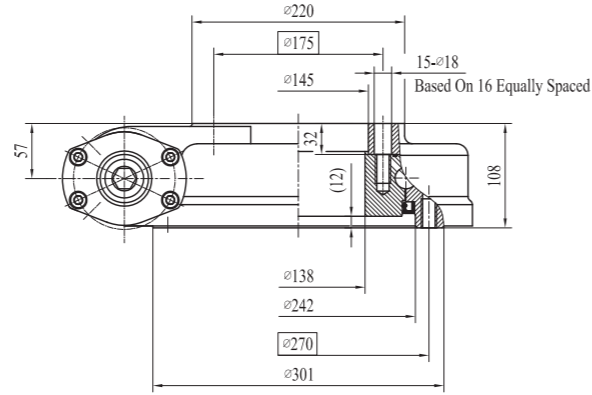
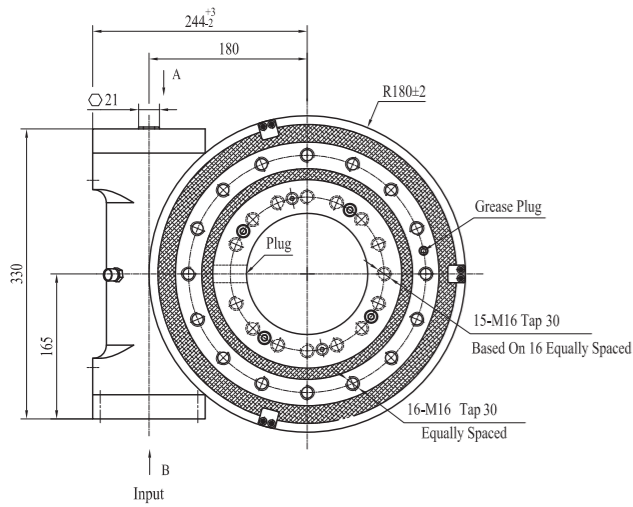


HSD7 Bronze Worm Gear Drive Performance Parameters

Model	Data	Output Torque	Tilting Moment Torque	Holding Torque	Static Axial Rating	Static Radial Rating	Dynamic Axial Rating	Dynamic Radial Rating	Gear Ratio	Tracking Precision	Weight
HSD7	Output Torque	3.5 kN.m	14.2 kN.m	20 kN.m	220 kN	90 kN	63 kN	48 kN	47 : 1	≤ 0.15°	37.5kg
		2583 lbf.ft	10.5 × 10 <sup>3</sup> lbf.ft	14.8 × 10 <sup>3</sup> lbf.ft	49.5 × 10 <sup>3</sup> lbf	20.2 × 10 <sup>3</sup> lbf	14.2 × 10 <sup>3</sup> lbf	10.8 × 10 <sup>3</sup> lbf			



# HSD9 | Bronze Worm Gear Drive

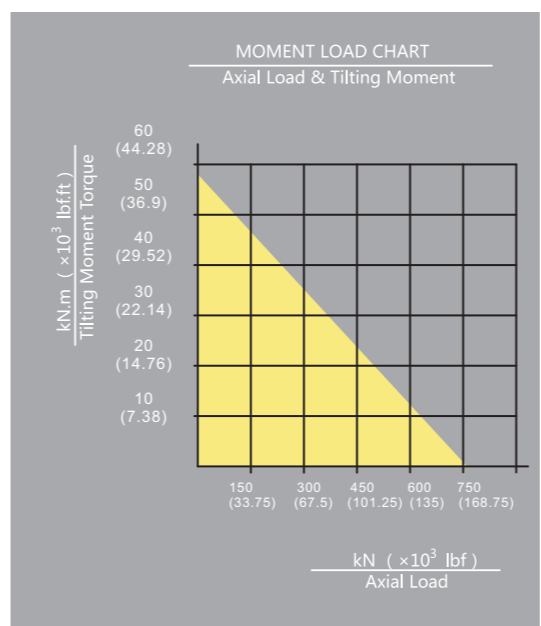
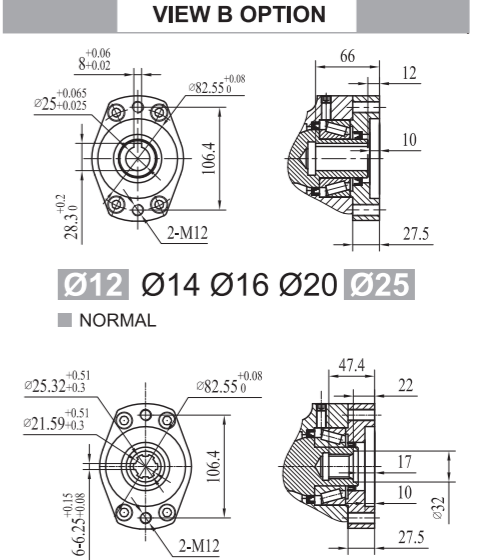
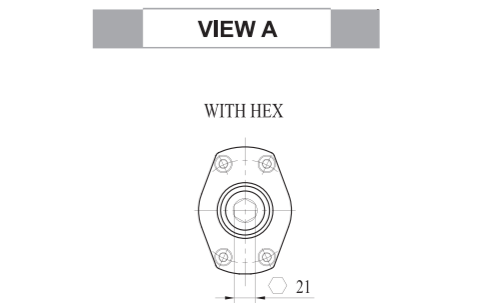
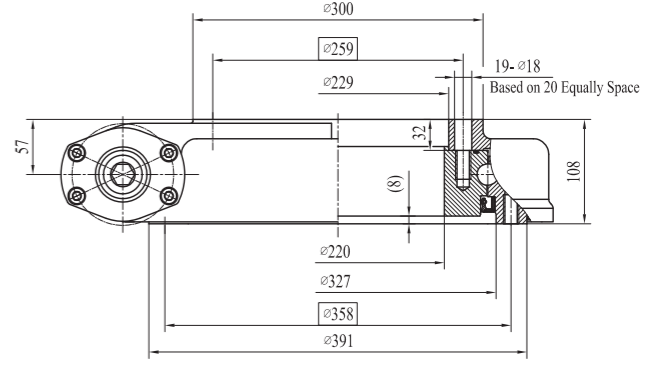
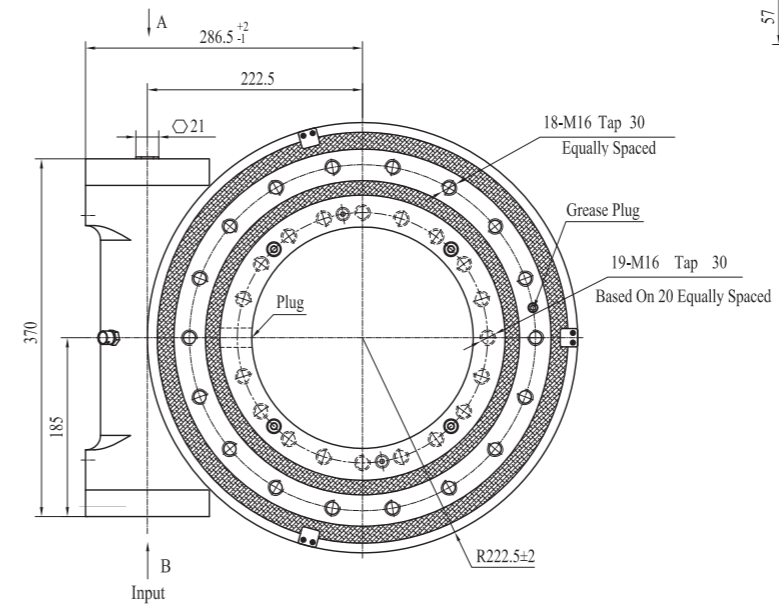


HSD9 Bronze Worm Gear Drive Performance Parameters

Data Model	Output Torque	Tilting Moment Torque	Holding Torque	Static Axial Rating	Static Radial Rating	Dynamic Axial Rating	Dynamic Radial Rating	Gear Ratio	Tracking Precision	Weight
HSD9	8 kN.m	35.6 kN.m	38.7 kN.m	578 kN	215kN	136 kN	115 kN	62 : 1	≤ 0.15°	55.5kg
	5904 lbf.ft	26.3 × 10 <sup>3</sup> lbf.ft	29 × 10 <sup>3</sup> lbf.ft	129.9 × 10 <sup>3</sup> lbf	48.3 × 10 <sup>3</sup> lbf	30.6 × 10 <sup>3</sup> lbf	25.9 × 10 <sup>3</sup> lbf			

1-888-734-5690 www.socareusa.net  
Quality Creates Value

# HSD12 | Bronze Worm Gear Drive



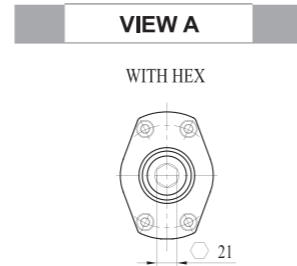
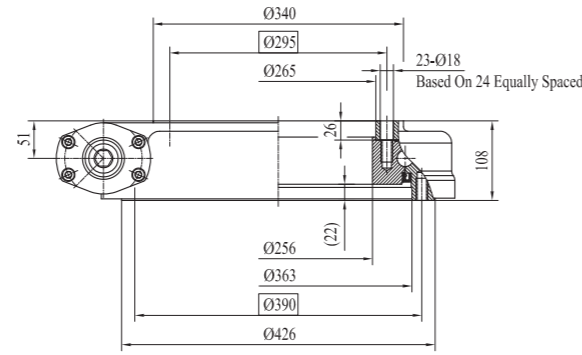
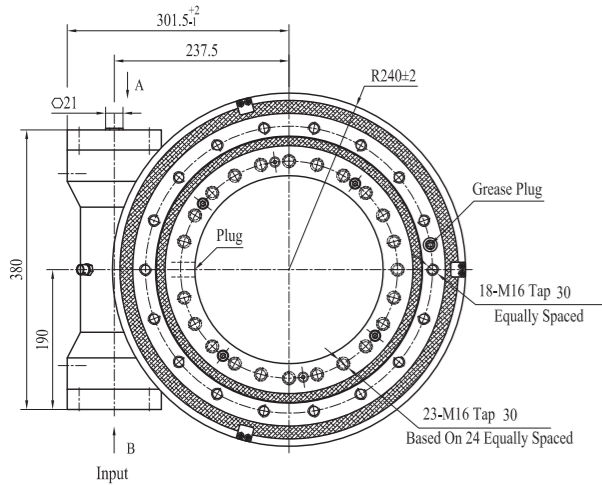
HSD12 Bronze Worm Gear Drive Performance Parameters

Data Model	Output Torque	Tilting Moment Torque	Holding Torque	Static Axial Rating	Static Radial Rating	Dynamic Axial Rating	Dynamic Radial Rating	Gear Ratio	Tracking Precision	Weight
HSD12	9.5kN.m	57kN.m	43kN.m	760kN	280kN	190kN	148kN	79:1	≤0.15°	74kg
	7011lbf.ft	42.1*10 <sup>3</sup> lbf.ft	32*10 <sup>3</sup> lbf.ft	171.1*10 <sup>3</sup> lbf	62.9*10 <sup>3</sup> lbf	42.7*10 <sup>3</sup> lbf	33.3*10 <sup>3</sup> lbf			

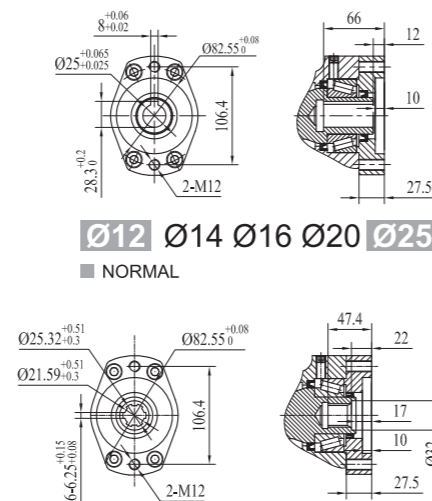
1-888-734-5690 www.socareusa.net  
Quality Creates Value



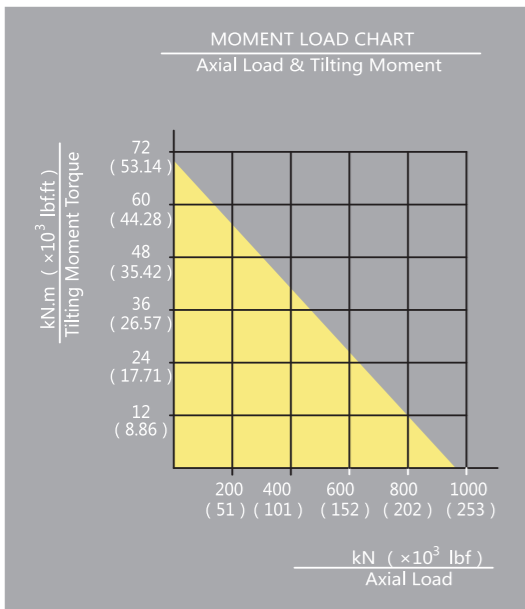
### HSD14 | Bronze Worm Gear Drive



**VIEW B OPTION**



**6B SPLINE**

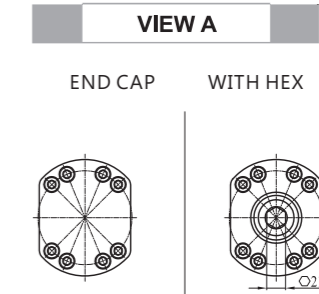
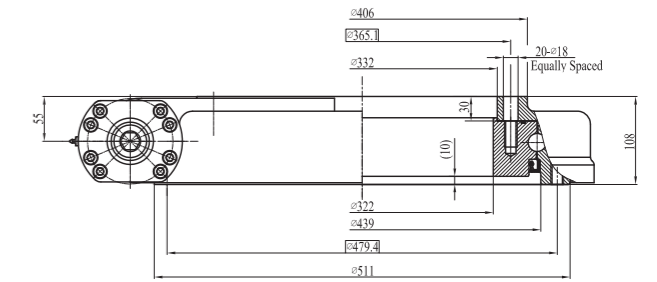
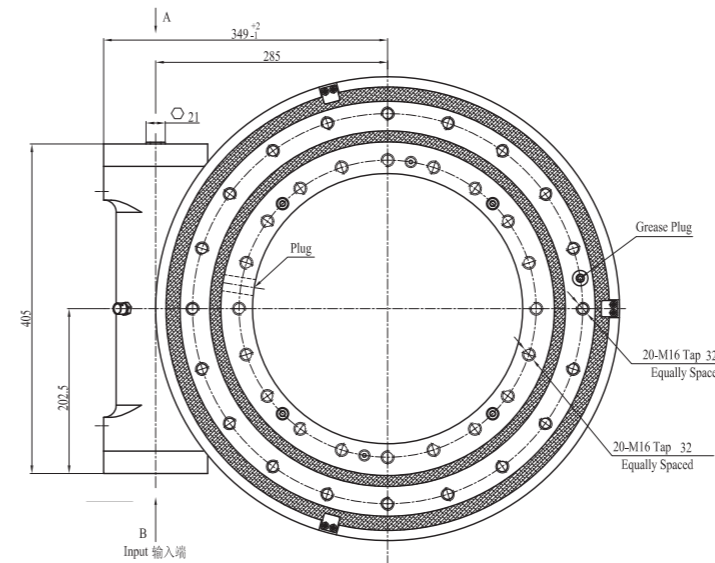


**HSD14 Bronze Worm Gear Drive Performance Parameters**

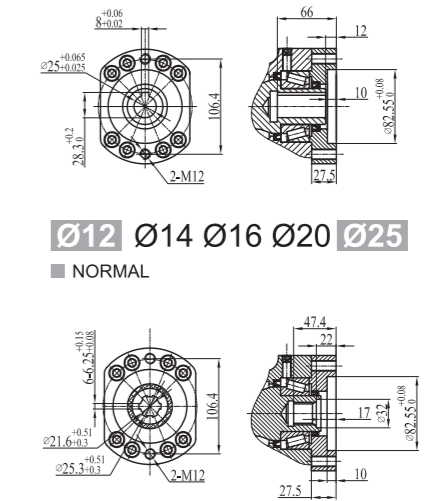
Data Model	Output Torque	Tilting Moment Torque	Holding Torque	Static Axial Rating	Static Radial Rating	Dynamic Axial Rating	Dynamic Radial Rating	Gear Ratio	Tracking Precision	Weight
HSD14	10.8kN.m	71.2 kN.m	48 kN.m	960 kN	360 kN	230 kN	200 kN	86 : 1	≤ 0.13°	82kg
	7970 lbf.ft	52.6 × 10 <sup>3</sup> lbf.ft	35 × 10 <sup>3</sup> lbf.ft	215.8 × 10 <sup>3</sup> lbf	80.9 × 10 <sup>3</sup> lbf	51.7 × 10 <sup>3</sup> lbf	44.9 × 10 <sup>3</sup> lbf			

1-888-734-5690 www.socareusa.net  
Quality Creates Value

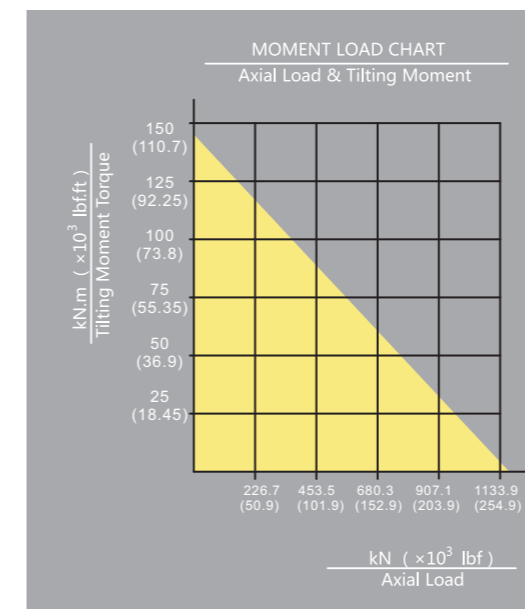
### HSD17 | Bronze Worm Gear Drive



**VIEW B OPTION**



**6B SPLINE**



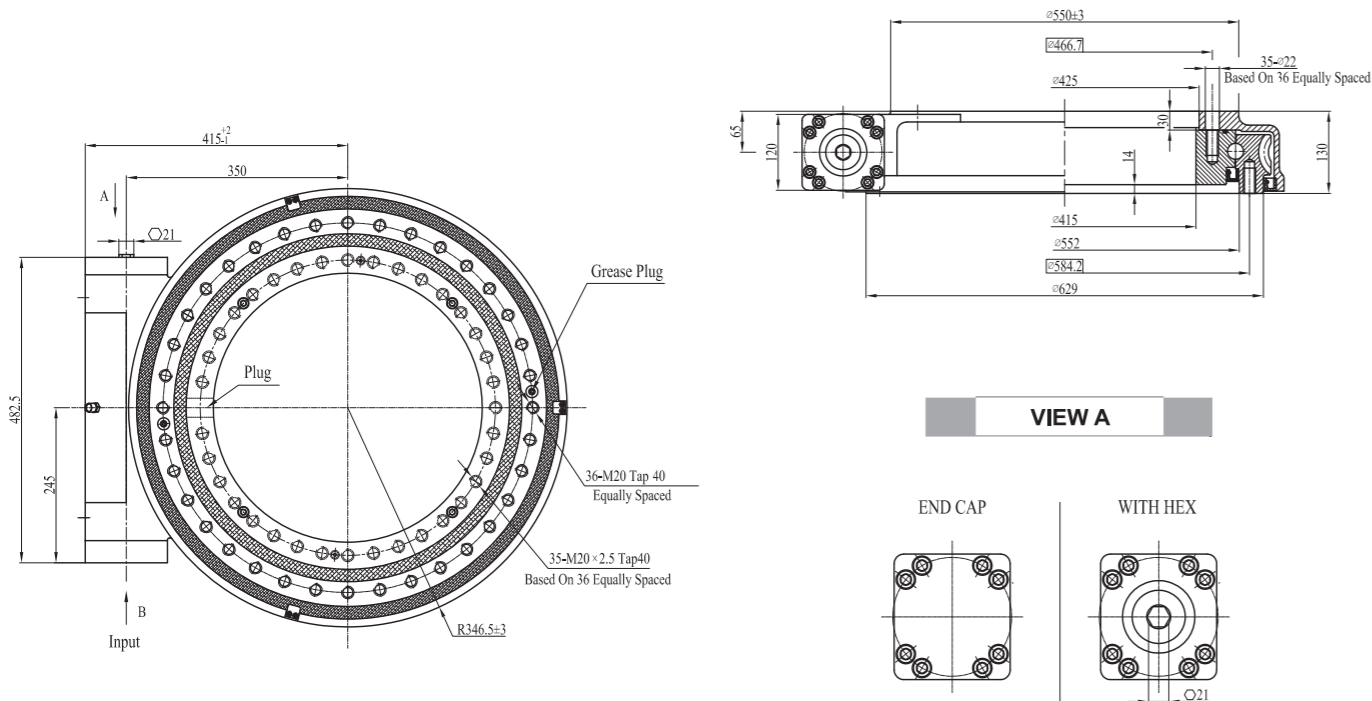
**HSD17 Bronze Worm Gear Drive Performance Parameters**

Data Model	Output Torque	Tilting Moment Torque	Holding Torque	Static Axial Rating	Static Radial Rating	Dynamic Axial Rating	Dynamic Radial Rating	Gear Ratio	Tracking Precision	Weight
HSD17	12.96kN.m	142.4kN.m	72.3kN.m	1166kN	435kN	280kN	231kN	104:1	≤ 0.1°	108kg
	9564lbf.ft	105.1*10 <sup>3</sup> lbf.ft	53.4*10 <sup>3</sup> lbf.ft	262*10 <sup>3</sup> lbf	97.8*10 <sup>3</sup> lbf	62.9*10 <sup>3</sup> lbf	51.9*10 <sup>3</sup> lbf			

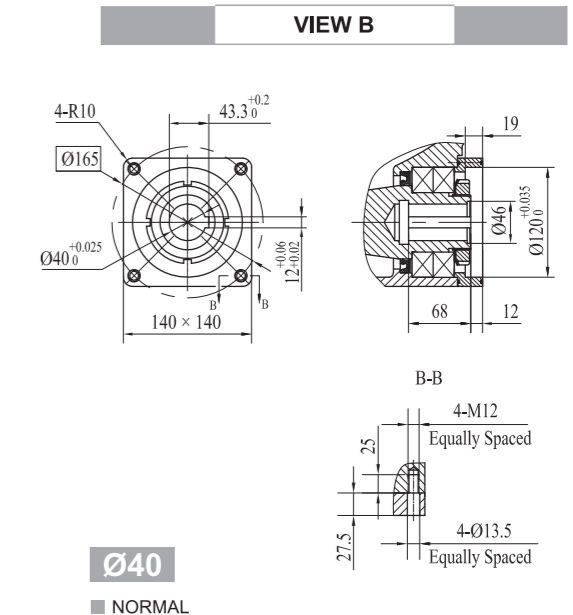
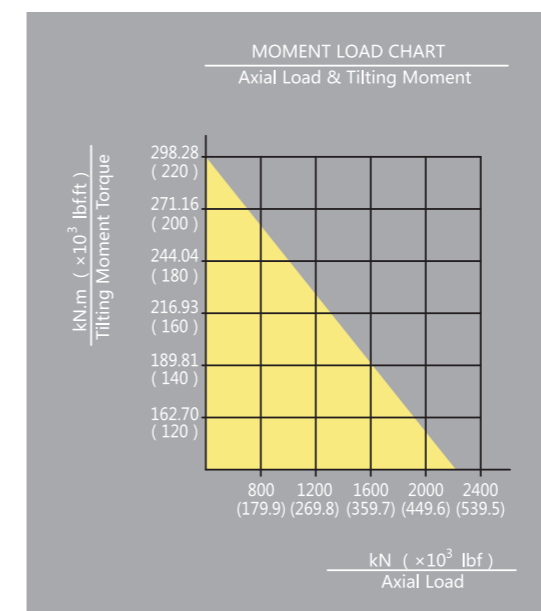
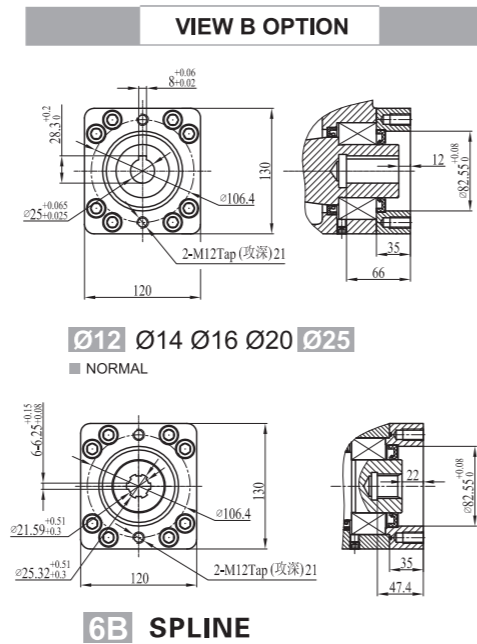
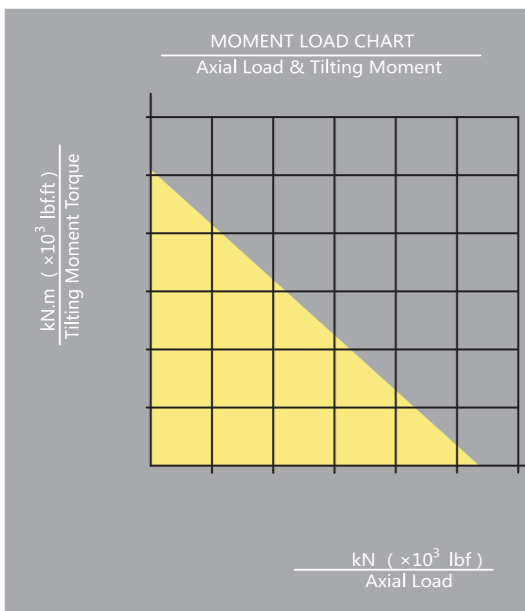
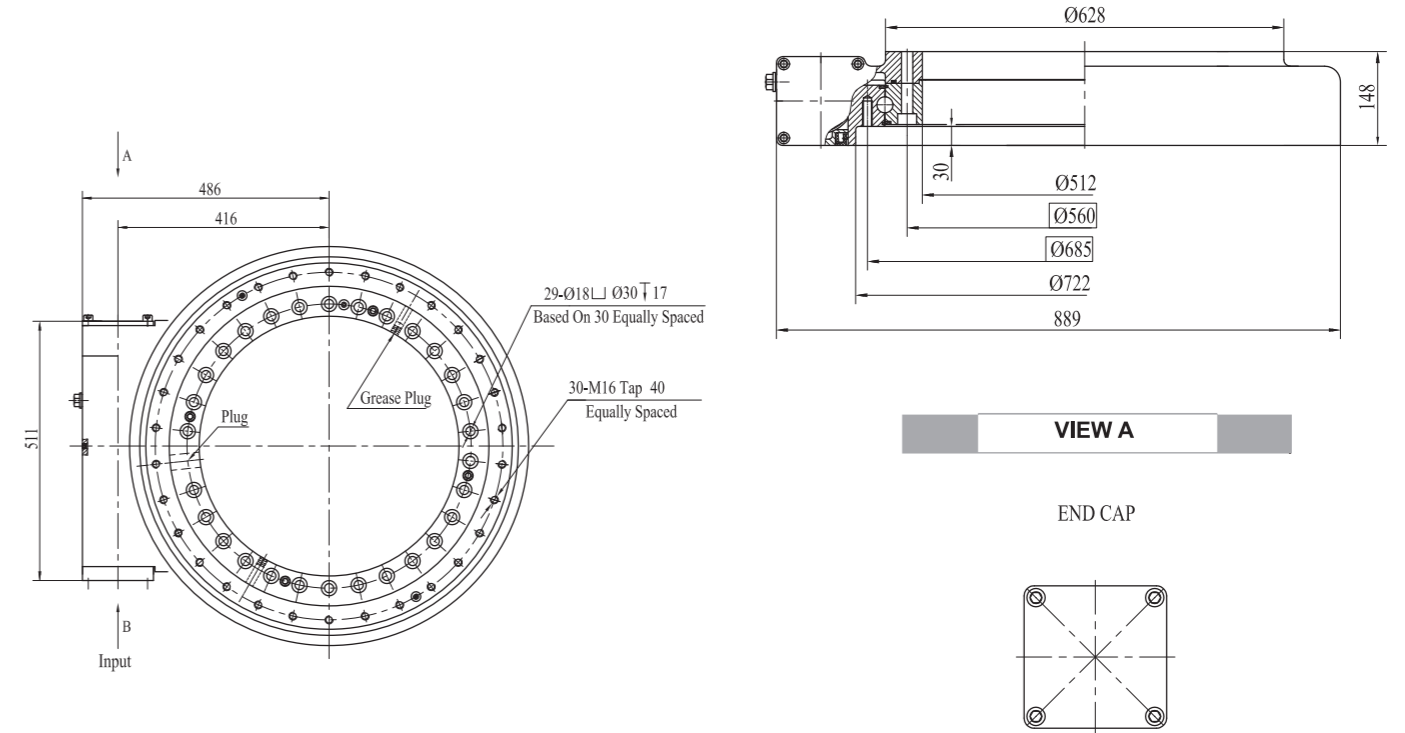
1-888-734-5690 www.socareusa.net  
Quality Creates Value



### HSD21 | Bronze Worm Gear Drive



### HSD25 | Bronze Worm Gear Drive



#### HSD21 Bronze Worm Gear Drive Performance Parameters

Data Model	Output Torque	Tilting Moment Torque	Holding Torque	Static Axial Rating	Static Radial Rating	Dynamic Axial Rating	Dynamic Radial Rating	Gear Ratio	Tracking Precision	Weight
HSD21	28.7kN.m	203kN.m	105.8kN.m	1598kN	640kN	385kN	335kN	90:1	≤0.1°	188kg
	21180lbf.ft	150*10 <sup>3</sup> lbf.ft	78.1*10 <sup>3</sup> lbf.ft	359*10 <sup>3</sup> lbf	144*10 <sup>3</sup> lbf	87*10 <sup>3</sup> lbf	75*10 <sup>3</sup> lbf			

1-888-734-5690 www.socareusa.net  
Quality Creates Value

#### HSD25 Bronze Worm Gear Drive Performance Parameters

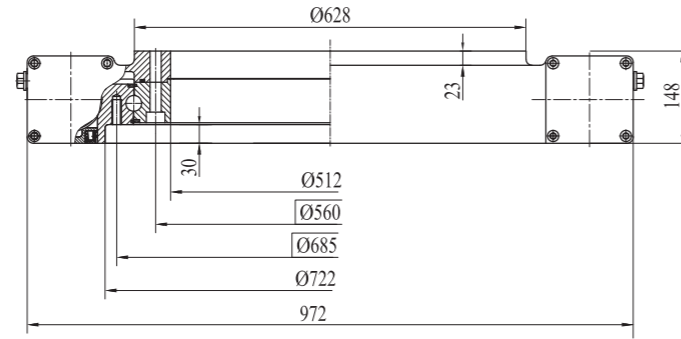
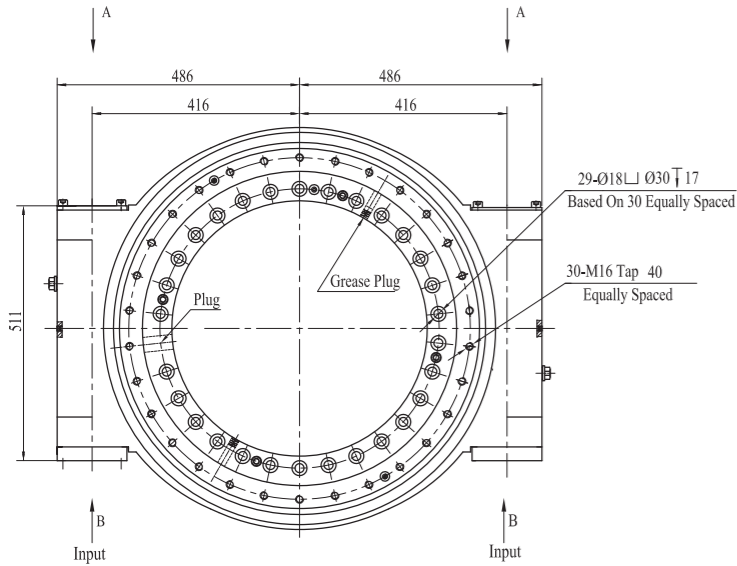
Data Model	Output Torque	Tilting Moment Torque	Max Output Torque	Static Axial Rating	Static Radial Rating	Dynamic Axial Rating	Dynamic Radial Rating	Gear Ratio	Tracking Precision	Weight
HSD25	25 kN.m	271kN.m	30 kN.m	2360kN	945kN	590kN	470kN	94:1	≤0.15°	255kg
	18439lbf.ft	200*10 <sup>3</sup> lbf.ft	22140lbf.ft	531*10 <sup>3</sup> lbf	212*10 <sup>3</sup> lbf	133*10 <sup>3</sup> lbf	106*10 <sup>3</sup> lbf			

1-888-734-5690 www.socareusa.net  
Quality Creates Value



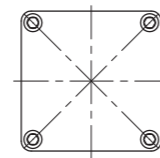


HSD25-2 | Bronze Worm Gear Drive

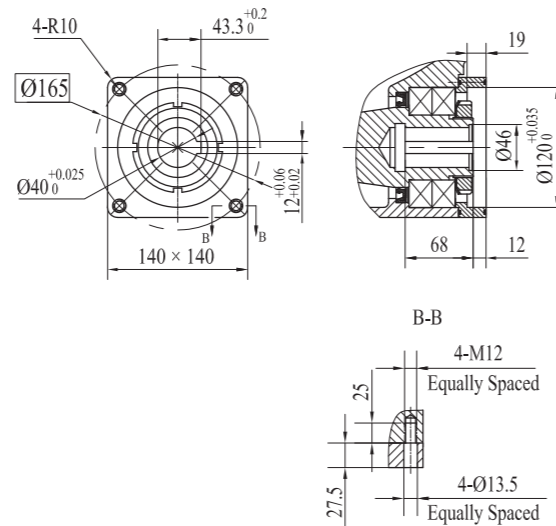


VIEW A

END CAP

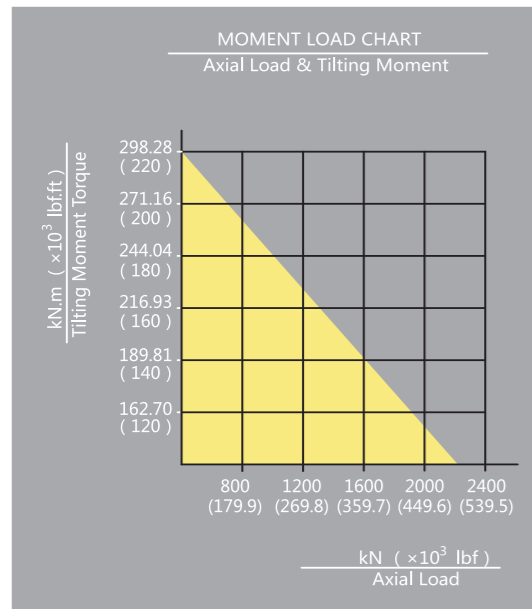


VIEW B OPTION



Ø40

■ NORMAL



HSD25-2 Bronze Worm Gear Drive Performance Parameters

Data Model	Output Torque	Max Output Torque	Tilting Moment Torque	Static Axial Rating	Static Radial Rating	Dynamic Axial Rating	Dynamic Radial Rating	Gear Ratio	Tracking Precision	Weight
HSD25-2	50 kN.m	60 kN.m	271 kN.m	2360 kN	945 kN	590 kN	470 kN	94 : 1	≤ 0.15°	275kg
	36878 lbf.ft	44280 lbf.ft	200 × 10 <sup>3</sup> lbf.ft	531 × 10 <sup>3</sup> lbf	212 × 10 <sup>3</sup> lbf	133 × 10 <sup>3</sup> lbf	106 × 10 <sup>3</sup> lbf			





**SOCARE® INTERNATIONAL USA**

11435 Century Circle W.  
Cincinnati, OH 45246  
1-888-734-5690  
WWW.SOCAREUSA.NET